

Submittal Records

Architect: Snyder Architects Inc.	Date: 2024-10-02
Attention: Amit Patel, Anil Gokarn, Avinash Garde, Mike Wilding, Jamie Leach, Roberto Vasquez	Project: Gymnasium Addition at Glenview PS
Subcontractor: B-SAFE ELECTRIC	Shop Drgs Lighting, Lighting Controls SD E-3R

Copies	Title /Description	# Pages
1	Lighting, Lighting Controls and Poles	47

Method of Delivery: Electronic

The Architect's review is for the sole purpose of ascertaining conformance with the general design concept and for the general arrangement. This review shall not mean approval of the detail design inherent in the shop drawings, responsibility for which shall remain with the Contractor and such review shall not relieve the Contractor of their responsibility for errors or omissions in the shop drawings or of their responsibility for meeting all requirements of the Contract Documents. The Contractor is responsible for dimensions to be confirmed and correlated at the job site, for information that pertains solely to fabrication processes, quantities or to techniques of construction and installation and for coordination of related work.

sn/der
architects

Date Oct 9 2024
 By AP
 Proj. No. 2314
 No exceptions taken _____
 Comply with notations ✓
 Revise & Resubmit _____
 Not reviewed _____



5080 Timberlea Blvd. Unit #1
Mississauga, Ontario
L4W 4M2
Phone: 905-872-7233
Fax: 905-624-6012

Commercial

Industrial

Plant Maintenance

Date: Oct 01, 2024

Shop Drawing Transmittal

To: Golden Gate Contracting, 1038 Cooke Blvd., Unit#1, Burlington

Project Name: HDSB-Gymnasium Addition at Glenview P S,

143 Townsend Ave., Burlington, ON, L7T 1Z1

Project No: #12402

Submittal drawings issued for:

For Approval

For Record / Info Only

Copies	Supplier	Description
1	Wavelinx	Lighting Controls

Notes: *MATERIAL ON HOLD PENDING APPROVAL AND RELEASE *

PER: Sumish Azheekkalkadavil



Date: Sep 30, 2024

Medgar Lighting & Controls Inc
1290 Sandhill Drive, Unit 5
Ancaster ON L9G 0H6
Phone: (905) 312-1213
Fax:

Job Name
HDSB - Glenview Public School Gym Addition
ML&C24-119319
Burlington ON

Bid Date
Jul 10, 2024

Submittal Date
Jul 10, 2024

Engineer:
DEI & Associates
55 Northland Rd.
Waterloo ON N2V 1Y8



Transmittal

Medgar Lighting & Controls Inc
1290 Sandhill Drive, Unit 5
Ancaster ON L9G 0H6
Phone: (905) 312-1213
From: Jacob Harris

Project HDSB - Glenview Public School Gym Addition

Location Burlington ON

ATTACHED WE ARE SENDING YOU 1 COPY OF THE FOLLOWING ITEM:

- Drawings
- Prints
- Plans
- Specifications
- Information
- Submittals
- Other:

THESE ARE TRANSMITTED FOR:

- Prior Approval
- Approval
- Approval as Submitted
- Approval as Noted
- Resubmittal for Approval
- Corrections
- Your Use
- Review and Comment
- Record Bids due on:
- Other:

Remarks:
SENT

Type	MFG	Part	Est. Lead
BPI	Greengate	BPI-C-L	4-6 weeks
KP1	Greengate	WST-C-3-XXXX	6-8 weeks
KP2	Greengate	WST-C-3-XXXX	6-8 weeks
KP3	Greengate	WST-C-3-XXXX	6-8 weeks
PP2	Greengate	SP20-MV	4-6 weeks
PP	Greengate	SP20-RD4	4-6 weeks
RSP	Greengate	RSP-C-010-Z1	4-6 weeks
SIM	Greengate	SIM-C-V	4-6 weeks
LTG. CTRL. R1 MLCi Technical Services R1 DRAWING PACKAGE			

Notes:
SENT



Job Name:
HDSB - Glenview Public School Gym
Addition
Engineer: DEI & Associates (Waterloo)

Project	Catalog #	Type
Prepared by	Notes	Date



WaveLinX

CAT Bluetooth Programming Interface Module (BPI-C-L)

Connects CAT network to Mobile app

Typical Applications

Office • Education • Healthcare • Hospitality • Retail

Interactive Menu

- Order Information page 2
- Additional Resources page 2
- Connected Systems page 3
- Product Warranty

Product Certification*



- Meets latest ASHRAE 90.1 - 2019 requirements
- Meets latest IECQ - 2021 requirements
- Meets latest Title 24 - 2019 requirements
- Manufactured in an ISO 9001 certified factory

Product Features



Compatibility



Overview

The Bluetooth Programming Interface uses a Bluetooth® Low Energy (BLE) Radio Module to allow wireless communication between the local CAT area and WaveLinX CAT mobile app. This device offers two RJ-45 ports to connect with standalone CAT network area. The WaveLinX CAT mobile app offers secure pairing with the BPI device when within range, and once connected can be used for identifying and configuring devices within that area. The module is powered by CAT bus power and comes with mounting tabs for easy installation on the wall or a junction box.

Product Features & Benefits

- **Secured Mobile App pairing** – Easy network configuration and commissioning
- **Plenum Rated Design** – Easy junction box mounting or wall mounting
- Communicates with CAT digital network
- **Easy to configure / commission** – Pairs with WaveLinX CAT mobile app



This review by DEI Consulting Engineers Inc. is for the sole purpose of ascertaining conformance with the general design concept. This review shall not mean that DEI Consulting Engineers Inc. approves the detail design inherent in the shop drawings, responsibility for which shall remain with the contractor submitting same, and such review shall not relieve the contractor of his responsibility for errors or omissions in the shop drawings or his responsibility for meeting all requirements of the construction and contract documents.

- | | |
|--|--|
| <input checked="" type="checkbox"/> Reviewed | <input type="checkbox"/> Reviewed As Noted |
| <input type="checkbox"/> Not Reviewed | <input type="checkbox"/> Revise and Resubmit |

product diagrams

*T24 and RoHS are self-tested by Cooper Lighting Solutions. Not a third party certification.



Job Name:
HDSB - Glenview Public School Gym
Addition
Engineer: DEI & Associates (Waterloo)

Catalog Number:
BPI-C-L

Notes:

Type:

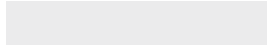
BPI

ML&C24-119319

WaveLinx

CAT Bluetooth Programming Interface Module

Order Information



Catalog Number

Catalog Number	Description
BPI-C-L	BPI-C Bluetooth Program Interface

Required Accessory

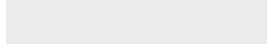
The WaveLinx CAT network requires termination of the local CAT bus network on both ends.



Catalog Number

Catalog Number	Description
ACC-C-TP-6PK	ACC-C Canbus Termination Plug - 6PK

Optional Accessories



Catalog Number

Catalog Number	Description
GGRJ45-006-G	RJ45 cables 6 inches
GGRJ45-03-G	RJ45 cables 3 feet
GGRJ45-10-G	RJ45 cables 10 feet
GGRJ45-25-G	RJ45 cables 25 feet
GGRJ45-50-G	RJ45 cables 50 feet
GGRJ45-100-G	RJ45 cables 100 feet
GGRJ45-10P-G	RJ45 cables 10 feet plenum rated
GGRJ45-25P-G	RJ45 cables 25 feet plenum rated
GGRJ45-50P-G	RJ45 cables 50 feet plenum rated
GGRJ45-100P-G	RJ45 cables 100 feet plenum rated

Product Specifications

Mechanical

Size: 2.28" W X 3.34" H X 1.5" D (58mm x 85mm x 38mm)

Mounting: Detachable mounting tabs

Color: Black

Environmental:

- **Operating temperature:** 32°F to 104°F (0°C to 40°C)
- **Operating relative humidity:** 5% to 85% non-condensing
- **Storage temperature:** -22°F to 158°F (-30°C to 70°C)
- For indoor use only

Electrical

Input Types:

- CAT Bus Powered

Network connection:

- CAT5 Solid Copper 24AWG
- T568B pin/pair assignment is recommended for all CAT5 cable

Standards/Ratings*

- cULus Listed - Energy Management Equipment (UL916)
- FCC Part 15
- Manufactured in an ISO 9001 certified factory
- Meets latest ASHRAE 90.1 - 2019 requirements
- Meets latest IECC - 2021 requirements
- Meets latest Title 24 - 2019 requirements

Environmental Regulations:

- RoHS
- Plenum UL2043
- Chicago Plenum rated

Warranty

Five year warranty standard



Download the WaveLinx CAT Mobile Application from either the Google Play or Apple Store®



Job Name:
 HDSB - Glenview Public School Gym
 Addition
 Engineer: DEI & Associates (Waterloo)

Catalog Number:
 BPI-C-L

Notes:

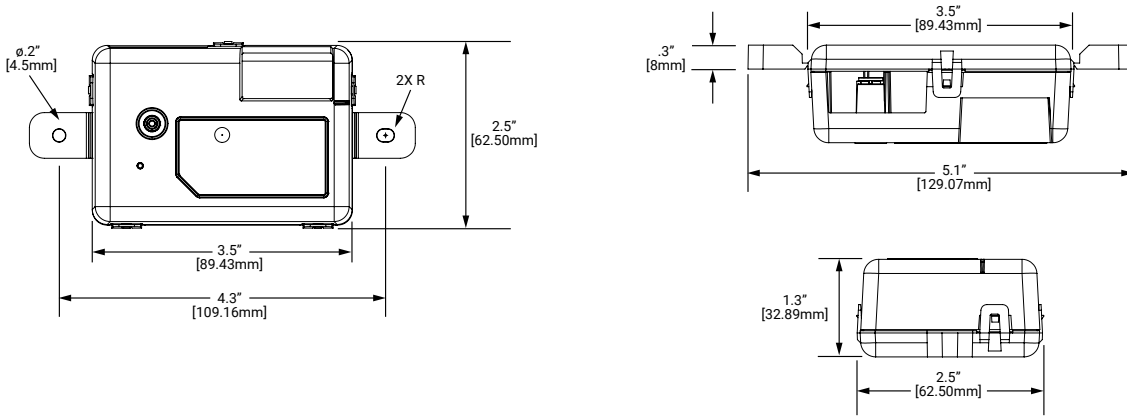
Type:

BPI

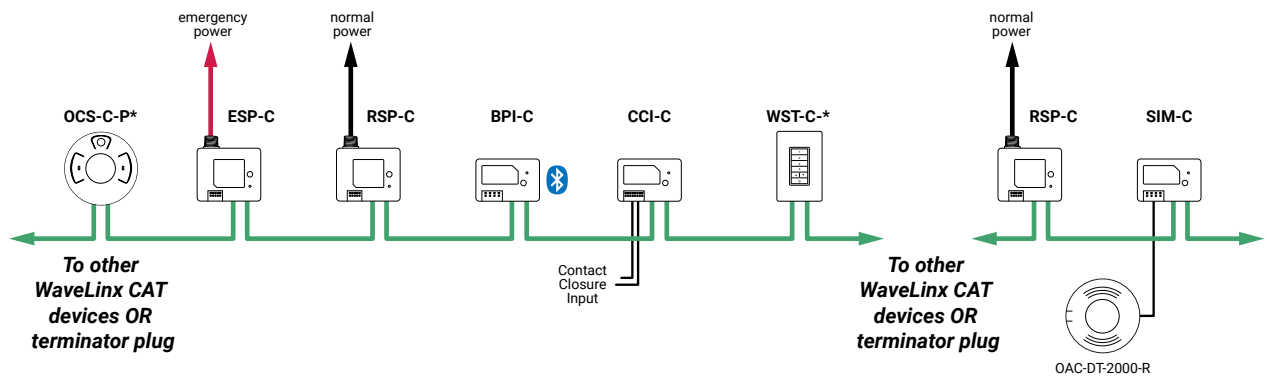
ML&C24-119319

WaveLinx CAT Bluetooth Programming Interface Module

Dimensional Details



Typical Topology





WaveLinX CAT Bluetooth Programming Interface Module

System Diagram:

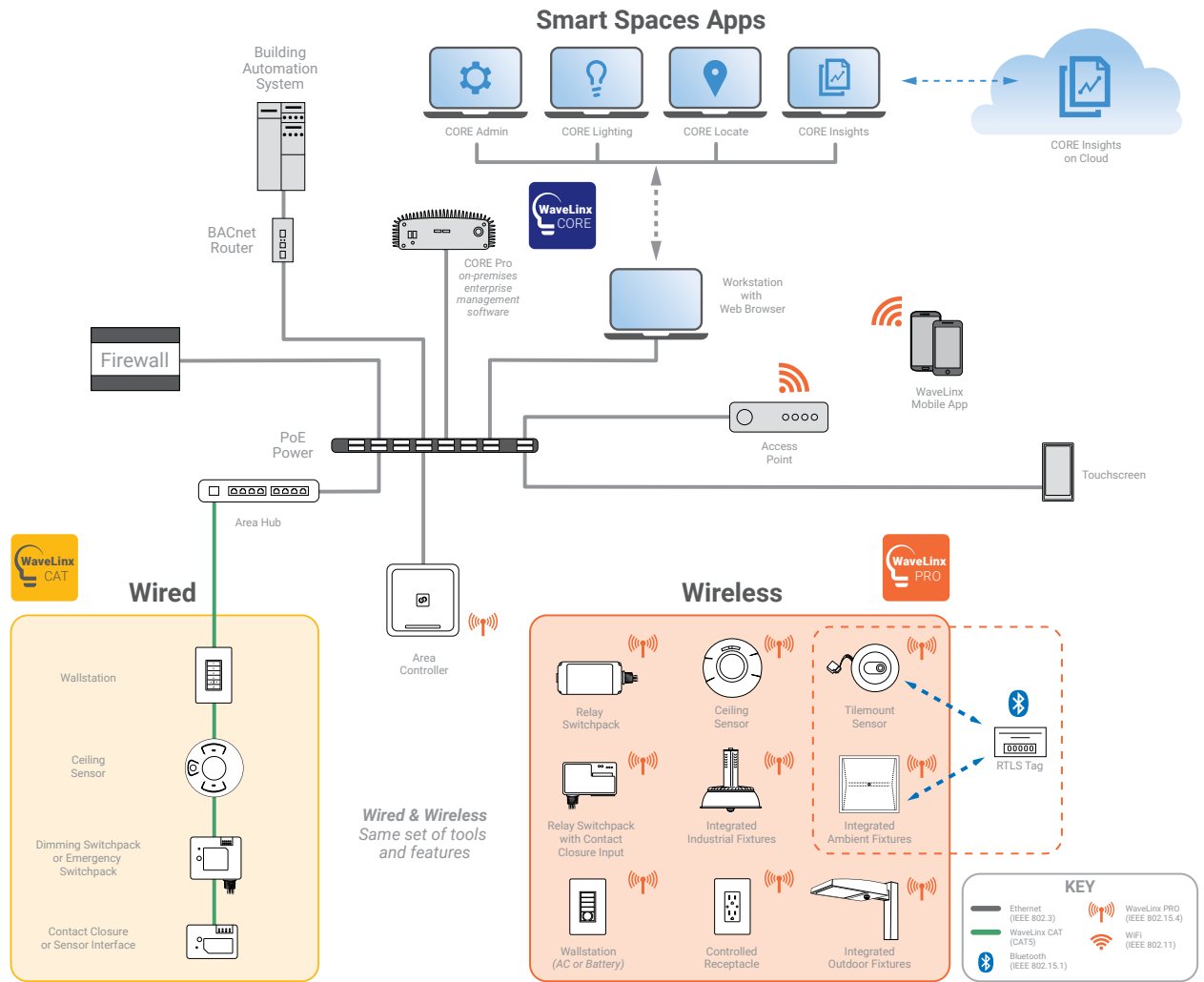
This diagram shows the main components of the WaveLinX connected lighting system with CAT and PRO devices.

The PRO devices communicate using wireless mesh technology based on the IEEE 802.15.4 standard. A PoE LAN connection for each WaveLinX Area Controller (WAC) is required for power and data access to the building lighting network.

The CAT devices communicate over the category 5 based communication bus and control the light fixtures using a relay (on/off) and 0-10V output (dim/raise).

WaveLinX Area Controllers (WAC) communicate with WaveLinX CORE Apps over the Ethernet network.

[View WaveLinX Network and IT Guidance Technical Guide](#)



Control Systems
• WaveLinX



Job Name:
HDSB - Glenview Public School Gym
Addition
Engineer: DEI & Associates (Waterloo)

Catalog Number:
WST-C-3-XXXX

Notes:

Type:

KP1

ML&C24-119319

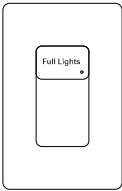
Custom Text Order Form Used for WaveLinx custom wallstation engraving

Controls

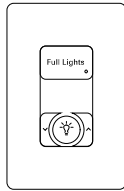
Sales Order #: _____ Line #: _____

2 Select your button configuration: (choose only one per wallstation form)

1 BUTTON



W1L-*-ENGR
1 Large button
WaveLinx PRO

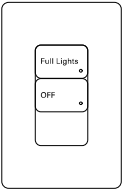


W1L-RL-*-ENGR
1 Large button
Raise & Lower
On / Off
WaveLinx PRO

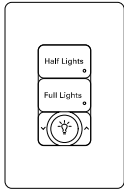


**WWB1-W-ENGR,
WW1-W-ENGR**
1 Large button
WaveLinx PRO

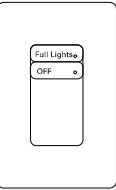
2 BUTTONS



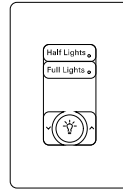
W2L-*-ENGR
2 Large buttons
WaveLinx PRO



W2L-RL-*-ENGR
2 Large buttons
Raise & Lower
WaveLinx PRO

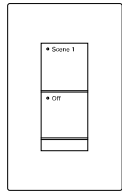


W2S-*-ENGR
2 Small buttons
WaveLinx PRO



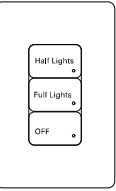
W2S-RL-*-ENGR
2 Small buttons
Raise & Lower
WaveLinx PRO

2 BUTTONS

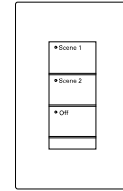


**WB2L-S1-W-ENGR
WB2L-S2-W-ENGR
WB2L-W-ENGR**
Battery-powered
WaveLinx PRO

3 BUTTONS

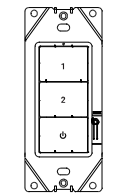


W3L-*-ENGR
3 Large buttons
On / Off
WaveLinx PRO

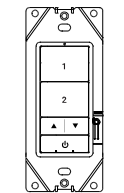


**WB3L-S2-W-ENGR
WB3L-W-ENGR**
3 Large buttons
On / Off
Battery-powered
WaveLinx PRO

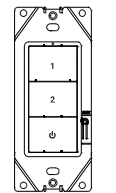
3 BUTTONS



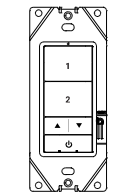
**WWB3-W-ENGR
WW3-W-ENGR**
3 Large buttons
On / Off
WaveLinx PRO



**WWB3-RL-W-ENGR
WW3-RL-W-ENGR**
3 Large buttons
Raise & Lower
On / Off
WaveLinx PRO



**WWL3-W-ENGR
WWBL3-W-ENGR**
3 Large buttons
On / Off
WaveLinx LITE



**WWL3-RL-W-ENGR
WWBL3-RL-W-ENGR**
3 Large buttons
Raise & Lower
On / Off
WaveLinx LITE

To submit, please complete engraving options in configurator with Flash Order Submission.

- Allow 4-6 weeks for delivery from PO confirmation.
- Confirmation subject to approval.
- All wallstations ordered with custom text are non-returnable.

1 Select your color: (choose only one)

White (W) Ivory (V) Gray (G) Black (B)

Red buttons are available on some models as a product deviation request (PDR). All colors are not available on all products, refer to spec sheets for color options.

3 Select your desired engraving: (choose only one)

Red buttons are available on some models as a product deviation request (PDR)

First Letters Capitalized, Arial Font, 11 characters, 11pt font size (default)

All engraving information should be typed not hand written.

Sample 1: Small Button
LIMITED TO (1) LINE OF ENGRAVING PER BUTTON

Sample Text

Sample 2: Large Button
LIMITED TO (2) LINES OF ENGRAVING PER BUTTON

Sample Text

Sample Text
On 2 Lines

For blank buttons use check box next to appropriate buttons space

Blank

Button 1 Z O N E 1

Blank

Button 2

Blank

Button 3

Blank

Button 4**

Blank

Button 5**

Blank

Button 6**

**Buttons 4, 5 & 6 only apply when using a small button arrangement.

Contact Information

Project Name: _____

Room: _____

Control Address: _____

P.O. #: _____

Page : _____ Quantity: **KP1**



Cooper Lighting Solutions
1121 Highway 74 South
Peachtree City, GA 30269
P: 770-406-4800
www.cooperlighting.com
For service or technical assistance:
1-800-553-3879

Canada Sales
5925 McLaughlin Road
Mississauga, Ontario L5R 1B8
P: 905-501-3000
F: 905-501-3172

© 2023 Cooper Lighting Solutions
All Rights Reserved.

Product availability, specifications,
and compliances are subject to
change without notice.

PA503003EN
July 2023



Job Name:
HDSB - Glenview Public School Gym
Addition
Engineer: DEI & Associates (Waterloo)

Catalog Number:
WST-C-3-XXXX

Notes:

Type:

KP1

ML&C24-119319

Custom Text Order Form
Used for WaveLinx custom wallstation engraving

Controls

Sales Order #: _____ Line #: _____

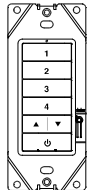
2 Select your button configuration: (choose only one per wallstation form)

4 BUTTONS

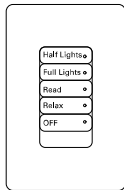


- W4S-*-ENGRV**
W4S-RL-*-ENGRV
4 Small buttons
Raise & Lower
On / Off
WaveLinx PRO

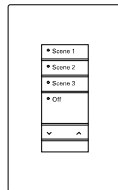
5 BUTTONS



- WWS-RL-W-ENGRV**
WWS-RL-W-ENGRV
WWS-RL-W-ENGRV
WWS-RL-W-ENGRV
5 buttons
Raise & Lower
On / Off
WaveLinx PRO
WaveLinx LITE

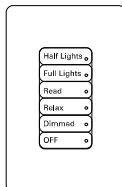


- W5S-*-ENGRV**
5 buttons
On / Off
WaveLinx PRO

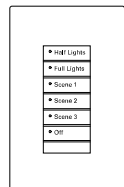


- WBS-S3-W-ENGRV**
5 buttons
Scenes, Raise & Lower
On / Off
Battery-powered
WaveLinx PRO

6 BUTTONS



- W6S-*-ENGRV**
6 Small buttons
Scenes
On / Off
WaveLinx PRO



- WB6S-S3-W-ENGRV**
WB6S-S3D-W-ENGRV
WB6S-S5-W-ENGRV
6 Small buttons
Scenes, On / Off
Battery-powered
WaveLinx PRO

1 Select your color: (choose only one)

- White (W)**
- Ivory (V)**
- Gray (G)**
- Black (B)**

Red buttons are available on some models as a product deviation request (PDR). All colors are not available on all products, refer to spec sheets for color options.

3 Select your desired engraving: (choose only one)

Red buttons are available on some models as a product deviation request (PDR)

First Letters Capitalized, Arial Font, 11 characters, 11pt font size (default)

All engraving information should be typed not hand written.

- Sample 1: Small Button**
LIMITED TO (1) LINE OF ENGRAVING PER BUTTON

Sample Text

- Sample 2: Large Button**
LIMITED TO (2) LINES OF ENGRAVING PER BUTTON

Sample Text

Sample Text
On 2 Lines

For blank buttons use check box next to appropriate buttons space

Blank

Button 1 Z O N E 1

Blank

Button 2

Blank

Button 3

Blank

Button 4**

Blank

Button 5**

Blank

Button 6**

**Buttons 4, 5 & 6 only apply when using a small button arrangement.

Contact Information

Project Name: _____

Room: _____

Control Address: _____

P.O. #: _____

Page : _____ **Quantity:** _____

To submit, please complete engraving options in configurator with Flash Order Submission.

- Allow 4-6 weeks for delivery from PO confirmation.
- Confirmation subject to approval.
- All wallstations ordered with custom text are non-returnable.



Cooper Lighting Solutions
1121 Highway 74 South
Peachtree City, GA 30269
P: 770-406-4800
www.cooperlighting.com
For service or technical assistance:
1-800-553-3879

Canada Sales
5925 McLaughlin Road
Mississauga, Ontario L5R 1B8
P: 905-501-3000
F: 905-501-3172

© 2023 Cooper Lighting Solutions
All Rights Reserved.

Product availability, specifications,
and compliances are subject to
change without notice.

PA503003EN
July 2023

**Job Name:**

HDSB - Glenview Public School Gym
Addition
Engineer: DEI & Associates (Waterloo)

Catalog Number:

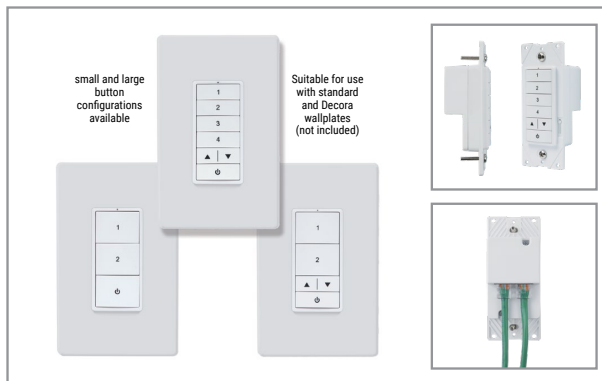
WST-C-3-XXXX

Notes:

Type:**KP1**

ML&C24-119319

Project	Catalog #	Type
Prepared by	Notes	Date



WaveLinX

CAT Wallstation (WST-C series)

Multi-scene and Single area dimming

Typical Applications

Office • Education • Healthcare • Hospitality • Retail

Interactive Menu

- Order Information page 2
- Additional Resources page 3
- Connected Systems page 5
- Product Warranty

Product Certification*



- Meets latest ASHRAE 90.1 - 2019 requirements
- Meets latest IECC - 2021 requirements
- Meets latest Title 24 - 2019 requirements
- Manufactured in an ISO 9001 certified factory

Product Features



Compatibility



Overview

The WaveLinX CAT Wallstation is a sleek commercial keypad with smooth tactile feedback that allows users to control lighting levels in a space managed by WaveLinX CAT switchpacks. The wallstation is a single gang decorator keypad that enable toggle/raise/lower/scene and level control of lighting zones. The wallstation is powered by and communicates with the other CAT devices via CAT5 cable through RJ45 connectors. The same CAT5 cable is used to power the wallstation. The wallstation is available in a variety of button configurations. Each button's action can be customized using the intuitive WaveLinX CAT mobile app.

Product Features & Benefits

- **Comprehensive button configuration options (multi-scene selection, raise/lower, on/off)** – Allowing specifier to offer customized experience in areas such as conference rooms, private offices, and other areas requiring architectural dimming
- **Powered by the category cable** – No separate power source required to power the wallstation.
- **Clean and Elegant design** – Suitable for all interior applications
- **Software programmable buttons** – Customize each button and light level to improve occupant experience
- Reduced commissioning time with easy configuration through WaveLinX CAT mobile app



Job Name:
HDSB - Glenview Public School Gym
Addition
Engineer: DEI & Associates (Waterloo)

Catalog Number:

WST-C-3-XXXX

Notes:

Type:

KP1

ML&C24-119319

WaveLinX CAT Wallstation

Order Information

WaveLinX CAT Wallstations are accessories to the WaveLinX system which may be commissioned via the WaveLinX mobile apps.



Catalog Number

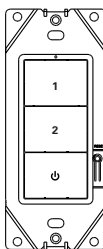
Standard Wallstation Configurations

Catalog Number	Description
WST-C-3	WaveLinX CAT Wallstation, 3 Button
WST-C-3D	WaveLinX CAT Wallstation, 3 Button Dimming
WST-C-5D	WaveLinX CAT Wallstation, 5 Button Dimming
Notes	Notes
WaveLinX CAT application required to customize programming for each button.	Suitable for use with standard and Decora wallplates (not included). Complete wallstation - buttons are not field replaceable.

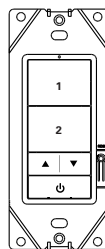
Custom Engraved Wallstation Configurations

Catalog Number	Description
WST-C-3-ENGRV	WaveLinX CAT Wallstation, 3 Button, Custom Engraved
WST-C-3D-ENGRV	WaveLinX CAT Wallstation, 3 Button Dimming, Custom Engraved
WST-C-5D-ENGRV	WaveLinX CAT Wallstation, 5 Button Dimming, Custom Engraved
Notes	Notes
WaveLinX CAT application required to customize programming for each button.	Suitable for use with standard and Decora wallplates (not included). For custom engraving use the configurator tool within the FlashPro Program (CUST-ENGRV). Complete wallstation - buttons are not field replaceable.

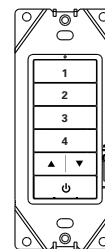
Note: Zone 1 ON/OFF buttons no preset scenes or dimming in the Gym.



WST-C-3



WST-C-3D



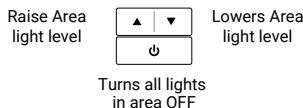
WST-C-5D

Standard button engraving for each wallstation

WST-C-3D and WST-C-3 Default engraving & light levels

- Button 1** Scene 1 = 100%
 - Button 2** Scene 3 = 50%
 - Raise press*** Increase 1% (per press)
 - hold*** Increase 15% (per sec)
 - Lower press*** Decrease 1% (per press)
 - hold*** Decrease 15% (per sec)
 - Power*** Scene 0 = OFF
- * - affects all zones in area

Raise / Lower / OFF buttons



Button programming options via WaveLinX CAT Mobile Application

- Scene Selection
- Zone Level
- Raise Level
- Lower Level
- No Action

WST-C-5D Default engraving & light levels

- Button 1** Scene 1 = 100%
 - Button 2** Scene 2 = 70%
 - Button 3** Scene 3 = 50%
 - Button 4** Scene 4 = 30%
 - Raise press*** Increase 1% (per press)
 - hold*** Increase 15% (per sec)
 - Lower press*** Decrease 1% (per press)
 - hold*** Decrease 15% (per sec)
 - Power*** Scene 0 = OFF
- * - affects all zones in area

MECHANICAL | ELECTRICAL | AQUATIC

This review by DEI Consulting Engineers Inc. is for the sole purpose of ascertaining conformance with the general design concept. This review shall not mean that DEI Consulting Engineers Inc. approves the detail design inherent in the shop drawings, responsibility for which shall remain with the contractor submitting same, and such review shall not relieve the contractor of his responsibility for errors or omissions in the shop drawings or his responsibility for meeting all requirements of the construction and contract documents.

Reviewed
 Not Reviewed

Reviewed As Noted
 Revise and Resubmit



Job Name:
HDSB - Glenview Public School Gym
Addition
Engineer: DEI & Associates (Waterloo)

WaveLinx

CAT Wallstation

Required Accessory

The WaveLinx CAT network requires termination of the local CAT bus network on both ends.

Catalog Number

Catalog Number	Description
ACC-C-TP-6PK	ACC-C Canbus Termination Plug - 6PK

Optional Accessories

Catalog Number

Catalog Number	Description
GGRJ45-006-G	RJ45 cables 6 inches
GGRJ45-03-G	RJ45 cables 3 feet
GGRJ45-10-G	RJ45 cables 10 feet
GGRJ45-25-G	RJ45 cables 25 feet
GGRJ45-50-G	RJ45 cables 50 feet
GGRJ45-100-G	RJ45 cables 100 feet
GGRJ45-10P-G	RJ45 cables 10 feet plenum rated
GGRJ45-25P-G	RJ45 cables 25 feet plenum rated
GGRJ45-50P-G	RJ45 cables 50 feet plenum rated
GGRJ45-100P-G	RJ45 cables 100 feet plenum rated

Product Specifications

Mechanical

Size: 4.2"H x 1.8"W x 1.5"D (107mm x 45mm x 39mm)

Mounting: Standard decorator opening (wallplate not included)

Color: White

Environmental:

- **Operating temperature:** 32°F to 104°F (0°C to 40°C)
- **Operating relative humidity:** 5% to 85% non-condensing
- **Storage temperature:** -22°F to 158°F (-30°C to 70°C)
- For indoor use only

Electrical

Input power: CAT powered

Network connection:

- CAT5 Solid Copper 24AWG
- T568B pin/pair assignment is recommended for all CAT5 cable

Hardware Specifications

Status Indicators:

- Single indicator LED
- LED functionality (active for 3 seconds after action)
 - Indication of wireless network join request
 - Indication of wireless network connection
 - Scene indication of operations

Button Configuration:

- 3 Button
- 3 Button with Raise / Lower
- 5 Button with Raise / Lower

Software Specifications

- Each button programmable to trigger Scene or Zone
- Default values when joined to a network (area) via WaveLinx application
- Models available with dominant button 50% light level
- Secure firmware upgrade OTA from mobile application

Standards/Ratings*

- cULus Listed - Energy Management Equipment (UL916)
- FCC Part 15
- Meets latest ASHRAE Standard 90.1 requirements
- Meets latest IECC 2021 requirements
- Meets latest CEC Title 24 requirements
- NEMA WD-7 and NEMA 4 compliant
- CA Title 20 and Prop 65 compliant

Environmental Regulations:

- RoHS

Warranty

Five year warranty standard

Note: Use of ammonia based or VOC cleaners on this device must be avoided. Prolonged use may cause loss of integrity and expose electrified components. If this occurs, turn OFF power to the unit and replace.



Download the WaveLinx CAT Mobile Application from either the Google Play or Apple Store®



Job Name:
HDSB - Glenview Public School Gym
Addition
Engineer: DEI & Associates (Waterloo)

Catalog Number:
WST-C-3-XXXX

Notes:

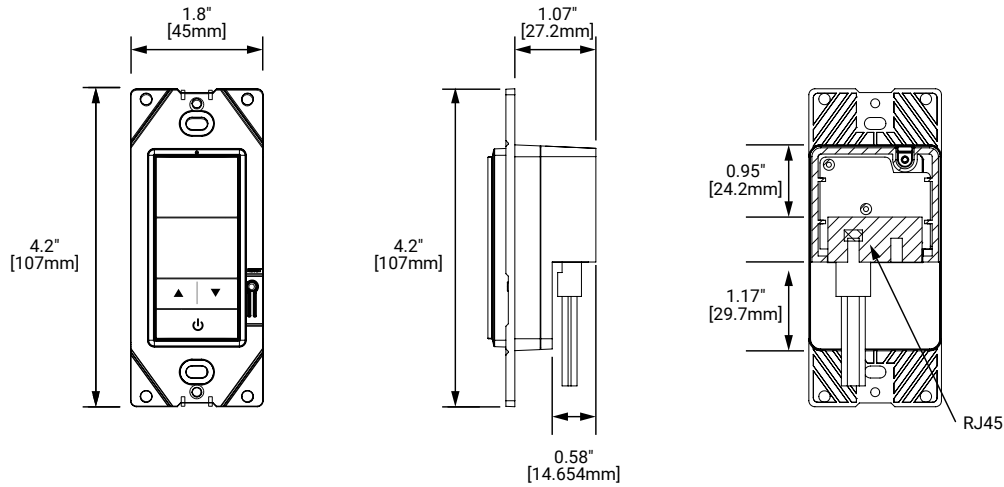
Type:

KP1

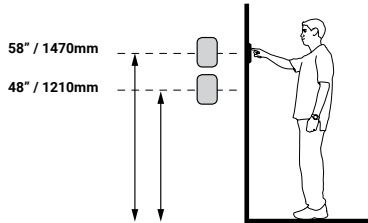
ML&C24-119319

WaveLinx CAT Wallstation

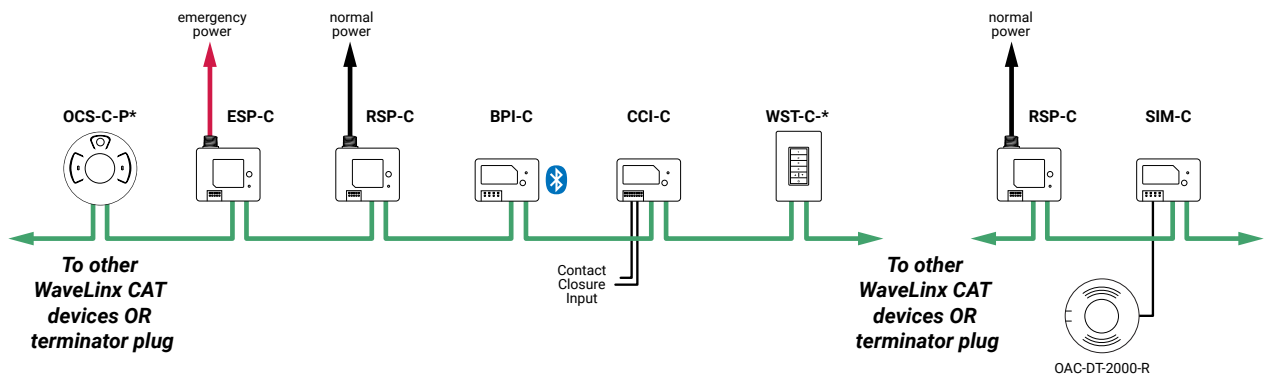
Dimensional Details



Mounting Height



Typical Topology



*T24 and RoHS are self-tested by Cooper Lighting Solutions. Not a third party certification.



WaveLinX CAT Wallstation

System Diagram:

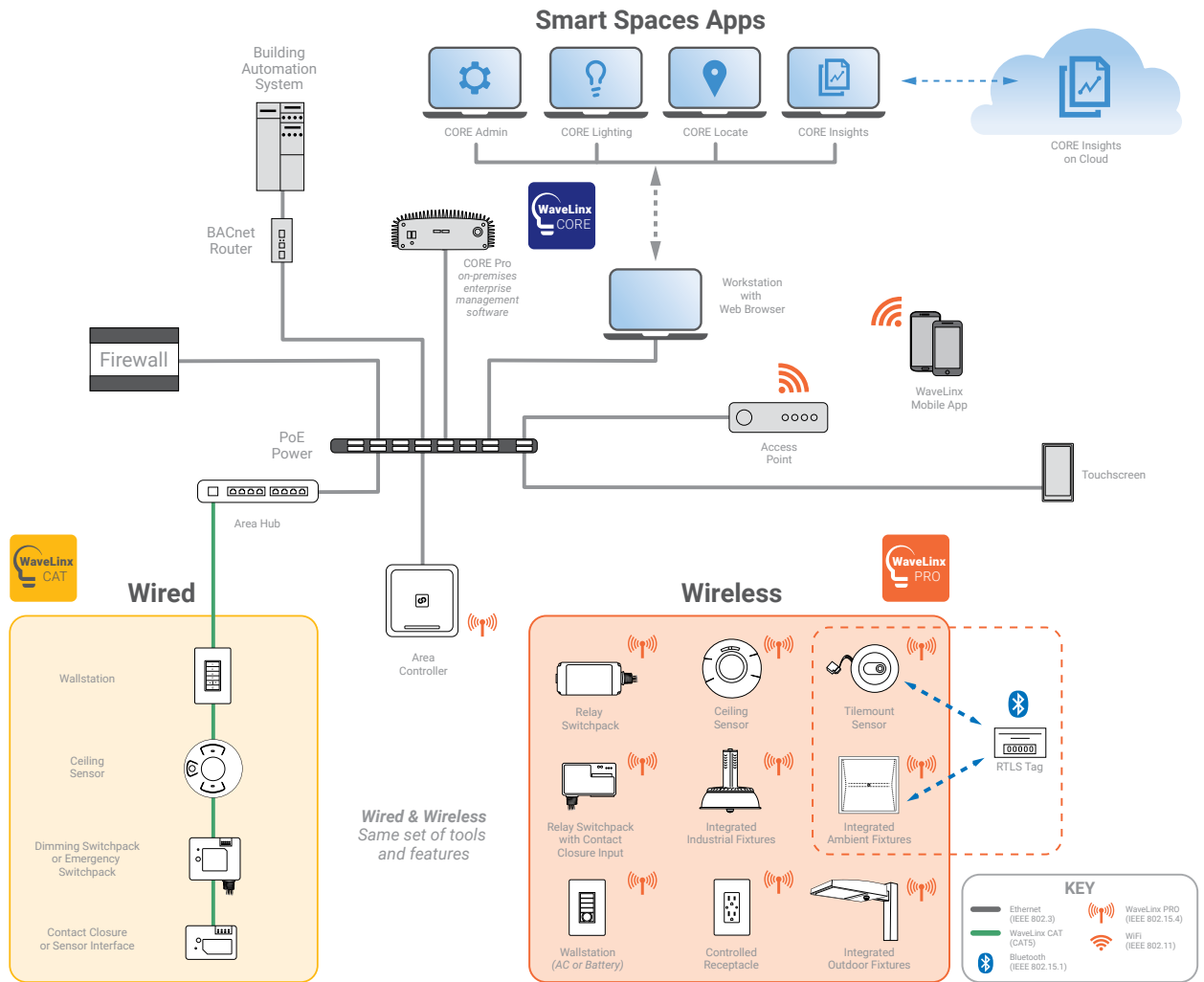
This diagram shows the main components of the WaveLinX connected lighting system with CAT and PRO devices.

The PRO devices communicate using wireless mesh technology based on the IEEE 802.15.4 standard. A PoE LAN connection for each WaveLinX Area Controller (WAC) is required for power and data access to the building lighting network.

The CAT devices communicate over the category 5 based communication bus and control the light fixtures using a relay (on/off) and 0-10V output (dim/raise).

WaveLinX Area Controllers (WAC) communicate with WaveLinX CORE Apps over the Ethernet network.

[View WaveLinX Network and IT Guidance Technical Guide](#)



Control Systems
• WaveLinX



Job Name:
HDSB - Glenview Public School Gym
Addition
Engineer: DEI & Associates (Waterloo)

Catalog Number:
WST-C-3-XXXX

Notes:

Type:

KP2

ML&C24-119319

Custom Text Order Form
Used for WaveLinx custom wallstation engraving

Controls

Sales Order #: _____ Line #: _____

2 Select your button configuration: (choose only one per wallstation form)

1 BUTTON				
	<input type="radio"/> W1L-*-ENGR 1 Large button WaveLinx PRO	<input type="radio"/> W1L-RL-*-ENGR 1 Large button Raise & Lower On / Off WaveLinx PRO	<input type="radio"/> WWB1-W-ENGR, WW1-W-ENGR 1 Large button WaveLinx PRO	
2 BUTTONS				
	<input type="radio"/> W2L-*-ENGR 2 Large buttons WaveLinx PRO	<input type="radio"/> W2L-RL-*-ENGR 2 Large buttons Raise & Lower WaveLinx PRO	<input type="radio"/> W2S-*-ENGR 2 Small buttons WaveLinx PRO	<input type="radio"/> W2S-RL-*-ENGR 2 Small buttons Raise & Lower WaveLinx PRO
2 BUTTONS				
	<input type="radio"/> WB2L-S1-W-ENGR WB2L-S2-W-ENGR WB2L-W-ENGR Battery-powered WaveLinx PRO		<input type="radio"/> WB3L-S2-W-ENGR WB3L-W-ENGR 3 Large buttons On / Off WaveLinx PRO	
3 BUTTONS				
	<input checked="" type="radio"/> WWB3-W-ENGR WW3-W-ENGR 3 Large buttons On / Off WaveLinx PRO	<input checked="" type="radio"/> WWB3-RL-W-ENGR WW3-RL-W-ENGR 3 Large buttons Raise & Lower On / Off WaveLinx PRO	<input type="radio"/> WWL3-W-ENGR WWB3-W-ENGR 3 Large buttons On / Off WaveLinx LITE	<input checked="" type="radio"/> WWL3-RL-W-ENGR WWB3-RL-W-ENGR 3 Large buttons Raise & Lower On / Off WaveLinx LITE

To submit, please complete engraving options in configurator with Flash Order Submission.

- Allow 4-6 weeks for delivery from PO confirmation.
- Confirmation subject to approval.
- All wallstations ordered with custom text are non-returnable.

1 Select your color: (choose only one)

White (W) Ivory (V) Gray (G) Black (B)

Red buttons are available on some models as a product deviation request (PDR). All colors are not available on all products, refer to spec sheets for color options.

3 Select your desired engraving: (choose only one)

Red buttons are available on some models as a product deviation request (PDR)

First Letters Capitalized, Arial Font, 11 characters, 11pt font size (default)

All engraving information should be typed not hand written.

Sample 1: Small Button
LIMITED TO (1) LINE OF ENGRAVING PER BUTTON

Sample Text

Sample 2: Large Button
LIMITED TO (2) LINES OF ENGRAVING PER BUTTON

Sample Text
Sample Text
On 2 Lines

For blank buttons use check box next to appropriate buttons space

Blank

Button 1

Z	O	N	E		2														
---	---	---	---	--	---	--	--	--	--	--	--	--	--	--	--	--	--	--	--

Blank

Button 2

--	--	--	--	--	--	--	--	--	--	--	--	--	--	--	--	--	--	--	--

Blank

Button 3

--	--	--	--	--	--	--	--	--	--	--	--	--	--	--	--	--	--	--	--

Blank

Button 4**

--	--	--	--	--	--	--	--	--	--	--	--	--	--	--	--	--	--	--	--

Blank

Button 5**

--	--	--	--	--	--	--	--	--	--	--	--	--	--	--	--	--	--	--	--

Blank

Button 6**

--	--	--	--	--	--	--	--	--	--	--	--	--	--	--	--	--	--	--	--

**Buttons 4, 5 & 6 only apply when using a small button arrangement.

Contact Information

Project Name: _____

Room: _____

Control Address: _____

P.O. #: _____

Page : _____ **Quantity:** KP2



Cooper Lighting Solutions
1121 Highway 74 South
Peachtree City, GA 30269
P: 770-406-4800
www.cooperlighting.com
For service or technical assistance:
1-800-553-3879

Canada Sales
5925 McLaughlin Road
Mississauga, Ontario L5R 1B8
P: 905-501-3000
F: 905-501-3172

© 2023 Cooper Lighting Solutions
All Rights Reserved.

Product availability, specifications,
and compliances are subject to
change without notice.

PA503003EN
July 2023



Job Name:
HDSB - Glenview Public School Gym
Addition
Engineer: DEI & Associates (Waterloo)

Catalog Number:
WST-C-3-XXXX

Notes:

Type:

KP2

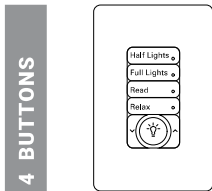
ML&C24-119319

Custom Text Order Form
Used for WaveLinx custom wallstation engraving

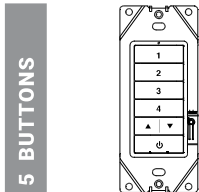
Controls

Sales Order #: _____ Line #: _____

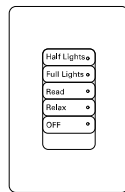
2 Select your button configuration: (choose only one per wallstation form)



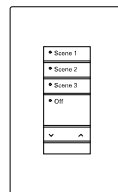
W4S-*-ENGRV
W4S-RL-*-ENGRV
4 Small buttons
Raise & Lower
On / Off
WaveLinx PRO



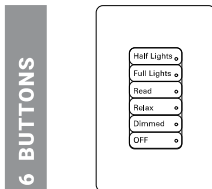
WWS-RL-W-ENGRV
WWB5-RL-W-ENGRV
WWBL5-RL-W-ENGRV
WWL5-RL-W-ENGRV
5 buttons
Raise & Lower
On / Off
WaveLinx PRO
WaveLinx LITE



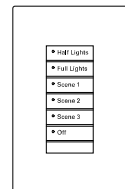
W5S-*-ENGRV
5 buttons
On / Off
WaveLinx PRO



WBS-S3-W-ENGRV
5 buttons
Scenes, Raise & Lower
On / Off
Battery-powered
WaveLinx PRO



W6S-*-ENGRV
6 Small buttons
Scenes
On / Off
WaveLinx PRO



WB6S-S3-W-ENGRV
WB6S-S3D-W-ENGRV
WB6S-S5-W-ENGRV
6 Small buttons
Scenes, On / Off
Battery-powered
WaveLinx PRO

1 Select your color: (choose only one)

White (W) **Ivory (V)** **Gray (G)** **Black (B)**

Red buttons are available on some models as a product deviation request (PDR). All colors are not available on all products, refer to spec sheets for color options.

3 Select your desired engraving: (choose only one)

Red buttons are available on some models as a product deviation request (PDR)

First Letters Capitalized, Arial Font, 11 characters, 11pt font size (default)

All engraving information should be typed not hand written.

Sample 1: Small Button
LIMITED TO (1) LINE OF ENGRAVING PER BUTTON

Sample Text

Sample 2: Large Button
LIMITED TO (2) LINES OF ENGRAVING PER BUTTON

Sample Text

Sample Text
On 2 Lines

For blank buttons use check box next to appropriate buttons space

Blank **Button 1**

Z	O	N	E	2															
---	---	---	---	---	--	--	--	--	--	--	--	--	--	--	--	--	--	--	--

Blank **Button 2**

--	--	--	--	--	--	--	--	--	--	--	--	--	--	--	--	--	--	--	--	--

Blank **Button 3**

--	--	--	--	--	--	--	--	--	--	--	--	--	--	--	--	--	--	--	--	--

Blank **Button 4****

--	--	--	--	--	--	--	--	--	--	--	--	--	--	--	--	--	--	--	--	--

Blank **Button 5****

--	--	--	--	--	--	--	--	--	--	--	--	--	--	--	--	--	--	--	--	--

Blank **Button 6****

--	--	--	--	--	--	--	--	--	--	--	--	--	--	--	--	--	--	--	--	--

**Buttons 4, 5 & 6 only apply when using a small button arrangement.

To submit, please complete engraving options in configurator with Flash Order Submission.

- Allow 4-6 weeks for delivery from PO confirmation.
- Confirmation subject to approval.
- All wallstations ordered with custom text are non-returnable.

Contact Information

Project Name: _____
Room: _____
Control Address: _____
P.O. #: _____
Page : _____ **Quantity:** _____



Cooper Lighting Solutions
1121 Highway 74 South
Peachtree City, GA 30269
P: 770-406-4800
www.cooperlighting.com
For service or technical assistance:
1-800-553-3879

Canada Sales
5925 McLaughlin Road
Mississauga, Ontario L5R 1B8
P: 905-501-3000
F: 905-501-3172

© 2023 Cooper Lighting Solutions
All Rights Reserved.

Product availability, specifications,
and compliances are subject to
change without notice.

PA503003EN
July 2023

**Job Name:**

HDSB - Glenview Public School Gym
Addition
Engineer: DEI & Associates (Waterloo)

Catalog Number:

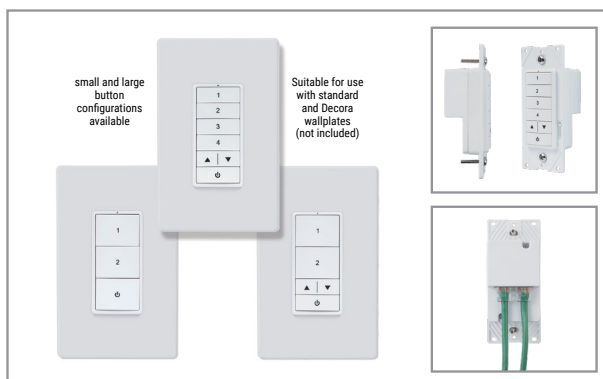
WST-C-3-XXXX

Notes:

Type:**KP2**

ML&C24-119319

Project	Catalog #	Type
Prepared by	Notes	Date



WaveLinx

CAT Wallstation (WST-C series)

Multi-scene and Single area dimming

Typical Applications

Office • Education • Healthcare • Hospitality • Retail

Interactive Menu

- Order Information page 2
- Additional Resources page 3
- Connected Systems page 5
- Product Warranty

Product Certification*



- Meets latest ASHRAE 90.1 - 2019 requirements
- Meets latest IECC - 2021 requirements
- Meets latest Title 24 - 2019 requirements
- Manufactured in an ISO 9001 certified factory

Product Features



Compatibility



Overview

The WaveLinx CAT Wallstation is a sleek commercial keypad with smooth tactile feedback that allows users to control lighting levels in a space managed by WaveLinx CAT switchpacks. The wallstation is a single gang decorator keypad that enable toggle/raise/lower/scene and level control of lighting zones. The wallstation is powered by and communicates with the other CAT devices via CAT5 cable through RJ45 connectors. The same CAT5 cable is used to power the wallstation. The wallstation is available in a variety of button configurations. Each button's action can be customized using the intuitive WaveLinx CAT mobile app.

Product Features & Benefits

- **Comprehensive button configuration options (multi-scene selection, raise/lower, on/off)** – Allowing specifier to offer customized experience in areas such as conference rooms, private offices, and other areas requiring architectural dimming
- **Powered by the category cable** – No separate power source required to power the wallstation.
- **Clean and Elegant design** – Suitable for all interior applications
- **Software programmable buttons** – Customize each button and light level to improve occupant experience
- Reduced commissioning time with easy configuration through WaveLinx CAT mobile app



WaveLinX CAT Wallstation

Order Information

WaveLinX CAT Wallstations are accessories to the WaveLinX system which may be commissioned via the WaveLinX mobile apps.



Catalog Number

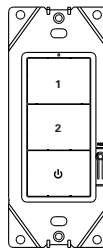
Standard Wallstation Configurations

Catalog Number	Description
WST-C-3	WaveLinX CAT Wallstation, 3 Button
WST-C-3D	WaveLinX CAT Wallstation, 3 Button Dimming
WST-C-5D	WaveLinX CAT Wallstation, 5 Button Dimming
Notes	Notes
WaveLinX CAT application required to customize programming for each button.	Suitable for use with standard and Decora wallplates (not included). Complete wallstation - buttons are not field replaceable.

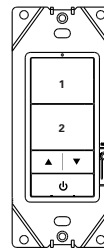
Custom Engraved Wallstation Configurations

Catalog Number	Description
WST-C-3-ENGRV	WaveLinX CAT Wallstation, 3 Button, Custom Engraved
WST-C-3D-ENGRV	WaveLinX CAT Wallstation, 3 Button Dimming, Custom Engraved
WST-C-5D-ENGRV	WaveLinX CAT Wallstation, 5 Button Dimming, Custom Engraved
Notes	Notes
WaveLinX CAT application required to customize programming for each button.	Suitable for use with standard and Decora wallplates (not included). For custom engraving use the configurator tool within the FlashPro Program (CUST-ENGRV). Complete wallstation - buttons are not field replaceable.

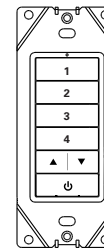
Note: Zone 2 ON/OFF buttons no preset scenes or dimming in the Gym.



WST-C-3



WST-C-3D



WST-C-5D

Standard button engraving for each wallstation

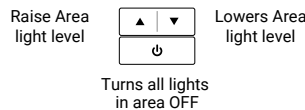
WST-C-3D and WST-C-3 Default engraving & light levels

- Button 1** Scene 1 = 100%
 - Button 2** Scene 3 = 50%
 - Raise press*** Increase 1% (per press)
 - hold*** Increase 15% (per sec)
 - Lower press*** Decrease 1% (per press)
 - hold*** Decrease 15% (per sec)
 - Power*** Scene 0 = OFF
- * - affects all zones in area

WST-C-5D Default engraving & light levels

- Button 1** Scene 1 = 100%
 - Button 2** Scene 2 = 70%
 - Button 3** Scene 3 = 50%
 - Button 4** Scene 4 = 30%
 - Raise press*** Increase 1% (per press)
 - hold*** Increase 15% (per sec)
 - Lower press*** Decrease 1% (per press)
 - hold*** Decrease 15% (per sec)
 - Power*** Scene 0 = OFF
- * - affects all zones in area

Raise / Lower / OFF buttons



Button programming options via WaveLinX CAT Mobile Application

- Scene Selection
- Zone Level
- Raise Level
- Lower Level
- No Action



This review by DEI Consulting Engineers Inc. is for the sole purpose of ascertaining conformance with the general design concept. This review shall not mean that DEI Consulting Engineers Inc. approves the detail design inherent in the shop drawings, responsibility for which shall remain with the contractor submitting same, and such review shall not relieve the contractor of his responsibility for errors or omissions in the shop drawings or his responsibility for meeting all requirements of the construction and contract documents.

- Reviewed
- Reviewed As Noted
- Not Reviewed
- Revise and Resubmit



Job Name:
HDSB - Glenview Public School Gym
Addition
Engineer: DEI & Associates (Waterloo)

WaveLinx

CAT Wallstation

Required Accessory

The WaveLinx CAT network requires termination of the local CAT bus network on both ends.

Catalog Number

Catalog Number	Description
ACC-C-TP-6PK	ACC-C Canbus Termination Plug - 6PK

Optional Accessories

Catalog Number

Catalog Number	Description
GGRJ45-006-G	RJ45 cables 6 inches
GGRJ45-03-G	RJ45 cables 3 feet
GGRJ45-10-G	RJ45 cables 10 feet
GGRJ45-25-G	RJ45 cables 25 feet
GGRJ45-50-G	RJ45 cables 50 feet
GGRJ45-100-G	RJ45 cables 100 feet
GGRJ45-10P-G	RJ45 cables 10 feet plenum rated
GGRJ45-25P-G	RJ45 cables 25 feet plenum rated
GGRJ45-50P-G	RJ45 cables 50 feet plenum rated
GGRJ45-100P-G	RJ45 cables 100 feet plenum rated

Product Specifications

Mechanical

Size: 4.2"H x 1.8"W x 1.5"D (107mm x 45mm x 39mm)

Mounting: Standard decorator opening (wallplate not included)

Color: White

Environmental:

- **Operating temperature:** 32°F to 104°F (0°C to 40°C)
- **Operating relative humidity:** 5% to 85% non-condensing
- **Storage temperature:** -22°F to 158°F (-30°C to 70°C)
- For indoor use only

Electrical

Input power: CAT powered

Network connection:

- CAT5 Solid Copper 24AWG
- T568B pin/pair assignment is recommended for all CAT5 cable

Hardware Specifications

Status Indicators:

- Single indicator LED
- LED functionality (active for 3 seconds after action)
 - Indication of wireless network join request
 - Indication of wireless network connection
 - Scene indication of operations

Button Configuration:

- 3 Button
- 3 Button with Raise / Lower
- 5 Button with Raise / Lower

Software Specifications

- Each button programmable to trigger Scene or Zone
- Default values when joined to a network (area) via WaveLinx application
- Models available with dominant button 50% light level
- Secure firmware upgrade OTA from mobile application

Standards/Ratings*

- cULus Listed - Energy Management Equipment (UL916)
- FCC Part 15
- Meets latest ASHRAE Standard 90.1 requirements
- Meets latest IECC 2021 requirements
- Meets latest CEC Title 24 requirements
- NEMA WD-7 and NEMA 4 compliant
- CA Title 20 and Prop 65 compliant

Environmental Regulations:

- RoHS

Warranty

Five year warranty standard

Note: Use of ammonia based or VOC cleaners on this device must be avoided. Prolonged use may cause loss of integrity and expose electrified components. If this occurs, turn OFF power to the unit and replace.



Download the WaveLinx CAT Mobile Application from either the Google Play or Apple Store®



Job Name:
HDSB - Glenview Public School Gym
Addition
Engineer: DEI & Associates (Waterloo)

Catalog Number:
WST-C-3-XXXX

Notes:

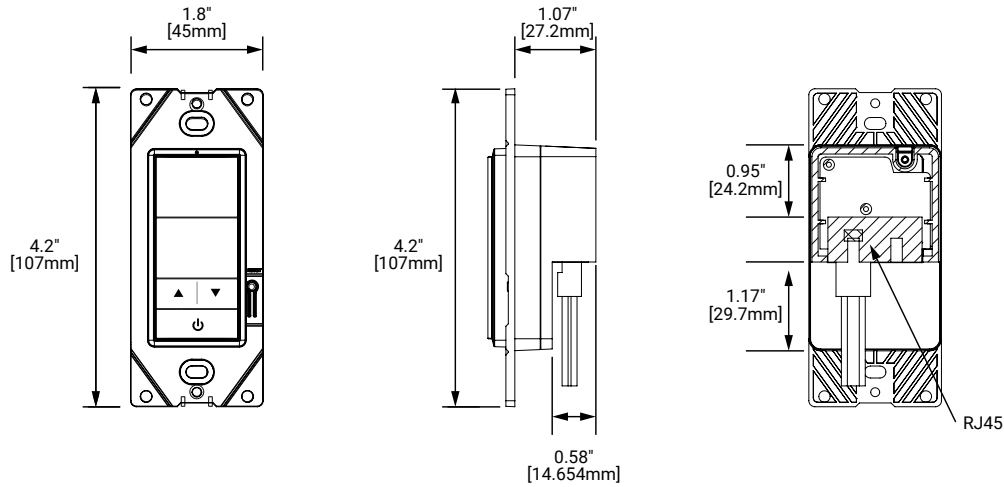
Type:

KP2

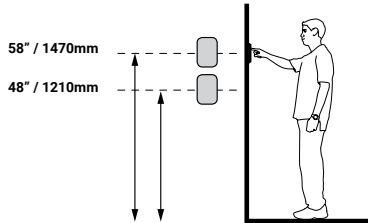
ML&C24-119319

WaveLinx CAT Wallstation

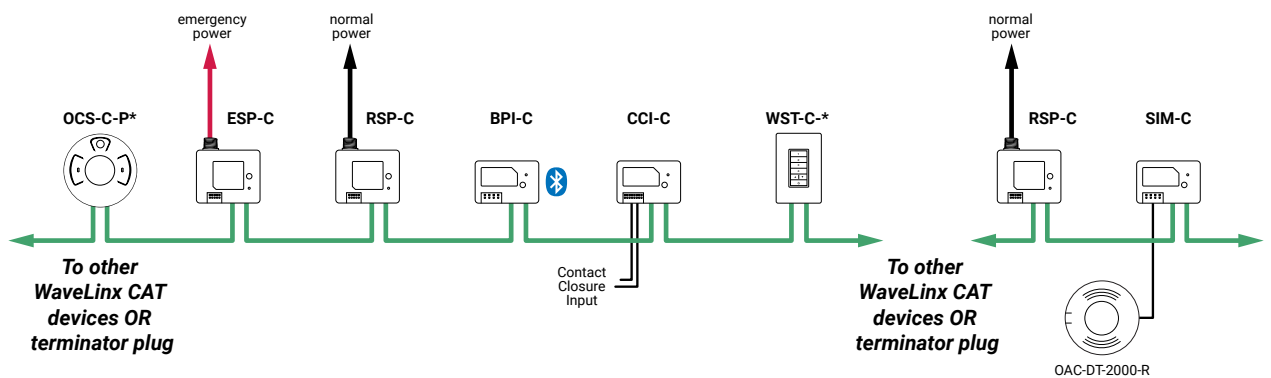
Dimensional Details



Mounting Height



Typical Topology



*T24 and RoHS are self-tested by Cooper Lighting Solutions. Not a third party certification.



WaveLinX CAT Wallstation

System Diagram:

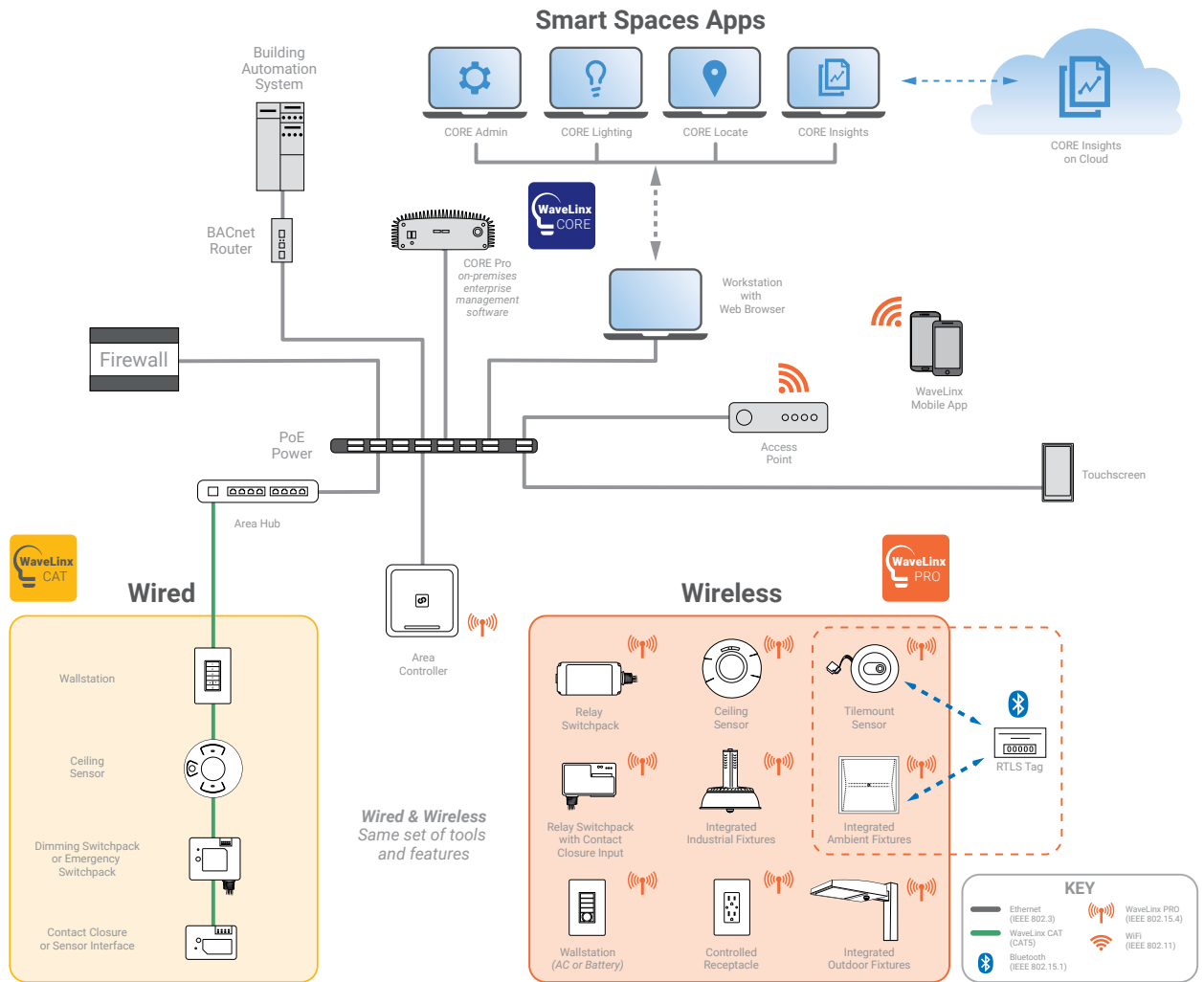
This diagram shows the main components of the WaveLinX connected lighting system with CAT and PRO devices.

The PRO devices communicate using wireless mesh technology based on the IEEE 802.15.4 standard. A PoE LAN connection for each WaveLinX Area Controller (WAC) is required for power and data access to the building lighting network.

The CAT devices communicate over the category 5 based communication bus and control the light fixtures using a relay (on/off) and 0-10V output (dim/raise).

WaveLinX Area Controllers (WAC) communicate with WaveLinX CORE Apps over the Ethernet network.

[View WaveLinX Network and IT Guidance Technical Guide](#)



Control Systems
• WaveLinX



Job Name:
HDSB - Glenview Public School Gym
Addition
Engineer: DEI & Associates (Waterloo)

Catalog Number:
WST-C-3-XXXX

Notes:

Type:

KP3

ML&C24-119319

Custom Text Order Form
Used for WaveLinx custom wallstation engraving

Controls

Sales Order #: _____ Line #: _____

2 Select your button configuration: (choose only one per wallstation form)

1 BUTTON	 <input type="radio"/> W1L-*-ENGR 1 Large button WaveLinx PRO	 <input type="radio"/> W1L-RL-*-ENGR 1 Large button Raise & Lower On / Off WaveLinx PRO	 <input type="radio"/> WWB1-W-ENGR, WW1-W-ENGR 1 Large button WaveLinx PRO	
2 BUTTONS	 <input type="radio"/> W2L-*-ENGR 2 Large buttons WaveLinx PRO	 <input type="radio"/> W2L-RL-*-ENGR 2 Large buttons Raise & Lower WaveLinx PRO	 <input type="radio"/> W2S-*-ENGR 2 Small buttons WaveLinx PRO	 <input type="radio"/> W2S-RL-*-ENGR 2 Small buttons Raise & Lower WaveLinx PRO
2 BUTTONS	 <input type="radio"/> WB2L-S1-W-ENGR <input type="radio"/> WB2L-S2-W-ENGR <input type="radio"/> WB2L-W-ENGR Battery-powered WaveLinx PRO	3 BUTTONS	 <input type="radio"/> W3L-*-ENGR 3 Large button On / Off WaveLinx PRO	 <input type="radio"/> WB3L-S2-W-ENGR <input type="radio"/> WB3L-W-ENGR 3 Large buttons On / Off Battery-powered WaveLinx PRO
3 BUTTONS	 <input checked="" type="radio"/> WWB3-W-ENGR <input type="radio"/> WWB3-RL-W-ENGR <input type="radio"/> WWL3-W-ENGR <input type="radio"/> WWL3-RL-W-ENGR 3 Large buttons On / Off WaveLinx PRO	 <input type="radio"/> WWB3-RL-W-ENGR <input type="radio"/> WWL3-W-ENGR <input type="radio"/> WWL3-RL-W-ENGR 3 Large buttons On / Off WaveLinx LITE	 <input type="radio"/> WWL3-W-ENGR <input type="radio"/> WWL3-RL-W-ENGR 3 Large buttons On / Off WaveLinx LITE	 <input type="radio"/> WWB3-RL-W-ENGR <input type="radio"/> WWL3-W-ENGR <input type="radio"/> WWL3-RL-W-ENGR 3 Large buttons On / Off WaveLinx LITE

To submit, please complete engraving options in configurator with Flash Order Submission.

- Allow 4-6 weeks for delivery from PO confirmation.
- Confirmation subject to approval.
- All wallstations ordered with custom text are non-returnable.

1 Select your color: (choose only one)

White (W) Ivory (V) Gray (G) Black (B)

Red buttons are available on some models as a product deviation request (PDR). All colors are not available on all products, refer to spec sheets for color options.

3 Select your desired engraving: (choose only one)

Red buttons are available on some models as a product deviation request (PDR)

First Letters Capitalized, Arial Font, 11 characters, 11pt font size (default)

All engraving information should be typed not hand written.

Sample 1: Small Button
LIMITED TO (1) LINE OF ENGRAVING PER BUTTON

Sample Text

Sample 2: Large Button
LIMITED TO (2) LINES OF ENGRAVING PER BUTTON

Sample Text
Sample Text
On 2 Lines

For blank buttons use check box next to appropriate buttons space

Blank

Button 1

Z	O	N	E	3															
---	---	---	---	---	--	--	--	--	--	--	--	--	--	--	--	--	--	--	--

Blank

Button 2

--	--	--	--	--	--	--	--	--	--	--	--	--	--	--	--	--	--	--	--

Blank

Button 3

--	--	--	--	--	--	--	--	--	--	--	--	--	--	--	--	--	--	--	--

Blank

Button 4**

--	--	--	--	--	--	--	--	--	--	--	--	--	--	--	--	--	--	--	--

Blank

Button 5**

--	--	--	--	--	--	--	--	--	--	--	--	--	--	--	--	--	--	--	--

Blank

Button 6**

--	--	--	--	--	--	--	--	--	--	--	--	--	--	--	--	--	--	--	--

**Buttons 4, 5 & 6 only apply when using a small button arrangement.

Contact Information

Project Name: _____

Room: _____

Control Address: _____

P.O. #: _____

Page : _____ **Quantity:** KP3



Cooper Lighting Solutions
1121 Highway 74 South
Peachtree City, GA 30269
P: 770-406-4800
www.cooperlighting.com
For service or technical assistance:
1-800-553-3879

Canada Sales
5925 McLaughlin Road
Mississauga, Ontario L5R 1B8
P: 905-501-3000
F: 905-501-3172

© 2023 Cooper Lighting Solutions
All Rights Reserved.

Product availability, specifications,
and compliances are subject to
change without notice.

PA503003EN
July 2023



Job Name:
HDSB - Glenview Public School Gym
Addition
Engineer: DEI & Associates (Waterloo)

Catalog Number:
WST-C-3-XXXX

Notes:

Type:

KP3

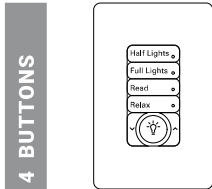
ML&C24-119319

Custom Text Order Form
Used for WaveLinx custom wallstation engraving

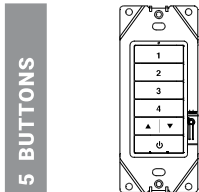
Controls

Sales Order #: _____ Line #: _____

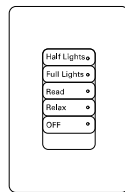
2 Select your button configuration: (choose only one per wallstation form)



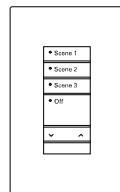
W4S-*-ENGRV
W4S-RL-*-ENGRV
4 Small buttons
Raise & Lower
On / Off
WaveLinx PRO



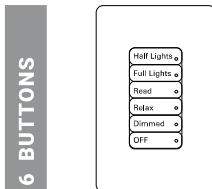
W5S-*-ENGRV
W5S-RL-*-ENGRV
5 buttons
On / Off
WaveLinx PRO



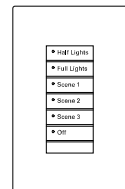
W5S-S3-W-ENGRV
5 buttons
Scenes, Raise & Lower
On / Off
WaveLinx PRO



W5S-S3-W-ENGRV
5 buttons
Scenes, Raise & Lower
On / Off
Battery-powered
WaveLinx PRO



W6S-*-ENGRV
6 Small buttons
Scenes
On / Off
WaveLinx PRO



W6S-S3-W-ENGRV
W6S-S3D-W-ENGRV
W6S-S5-W-ENGRV
6 Small buttons
Scenes, On / Off
Battery-powered
WaveLinx PRO

1 Select your color: (choose only one)

White (W) **Ivory (V)** **Gray (G)** **Black (B)**

Red buttons are available on some models as a product deviation request (PDR). All colors are not available on all products, refer to spec sheets for color options.

3 Select your desired engraving: (choose only one)

Red buttons are available on some models as a product deviation request (PDR)

First Letters Capitalized, Arial Font, 11 characters, 11pt font size (default)

All engraving information should be typed not hand written.

Sample 1: Small Button
LIMITED TO (1) LINE OF ENGRAVING PER BUTTON

Sample Text

Sample 2: Large Button
LIMITED TO (2) LINES OF ENGRAVING PER BUTTON

Sample Text

Sample Text
On 2 Lines

For blank buttons use check box next to appropriate buttons space

Blank **Button 1**

Z	O	N	E	3															
---	---	---	---	---	--	--	--	--	--	--	--	--	--	--	--	--	--	--	--

Blank **Button 2**

--	--	--	--	--	--	--	--	--	--	--	--	--	--	--	--	--	--	--	--	--

Blank **Button 3**

--	--	--	--	--	--	--	--	--	--	--	--	--	--	--	--	--	--	--	--	--

Blank **Button 4****

--	--	--	--	--	--	--	--	--	--	--	--	--	--	--	--	--	--	--	--	--

Blank **Button 5****

--	--	--	--	--	--	--	--	--	--	--	--	--	--	--	--	--	--	--	--	--

Blank **Button 6****

--	--	--	--	--	--	--	--	--	--	--	--	--	--	--	--	--	--	--	--	--

**Buttons 4, 5 & 6 only apply when using a small button arrangement.

To submit, please complete engraving options in configurator with Flash Order Submission.

- Allow 4-6 weeks for delivery from PO confirmation.
- Confirmation subject to approval.
- All wallstations ordered with custom text are non-returnable.

Contact Information

Project Name: _____
Room: _____
Control Address: _____
P.O. #: _____
Page : _____ **Quantity:** _____



Cooper Lighting Solutions
1121 Highway 74 South
Peachtree City, GA 30269
P: 770-406-4800
www.cooperlighting.com
For service or technical assistance:
1-800-553-3879

Canada Sales
5925 McLaughlin Road
Mississauga, Ontario L5R 1B8
P: 905-501-3000
F: 905-501-3172

© 2023 Cooper Lighting Solutions
All Rights Reserved.

Product availability, specifications,
and compliances are subject to
change without notice.

PA503003EN
July 2023

**Job Name:**

HDSB - Glenview Public School Gym
Addition
Engineer: DEI & Associates (Waterloo)

Catalog Number:

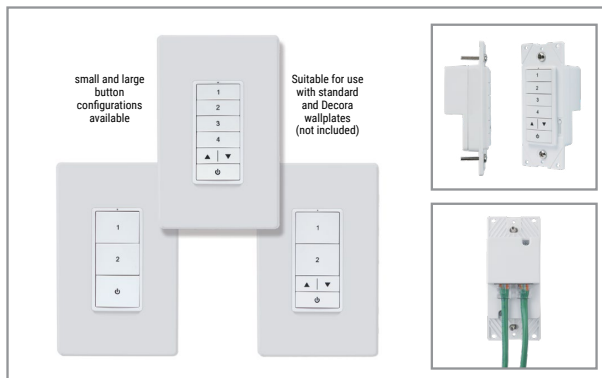
WST-C-3-XXXX

Notes:

Type:**KP3**

ML&C24-119319

Project		Catalog #		Type	
Prepared by		Notes		Date	



WaveLinX

CAT Wallstation (WST-C series)

Multi-scene and Single area dimming

Typical Applications

Office • Education • Healthcare • Hospitality • Retail

Interactive Menu

- Order Information [page 2](#)
- Additional Resources [page 3](#)
- Connected Systems [page 5](#)
- Product Warranty

Product Certification*



Part 15



- Meets latest ASHRAE 90.1 - 2019 requirements
- Meets latest IECC - 2021 requirements
- Meets latest Title 24 - 2019 requirements
- Manufactured in an ISO 9001 certified factory

Product Features

CAT
Mobile App

Scenes



Zone - Area

Manual
DimmerManually Switched
ON/OFF

Compatibility



Overview

The WaveLinX CAT Wallstation is a sleek commercial keypad with smooth tactile feedback that allows users to control lighting levels in a space managed by WaveLinX CAT switchpacks. The wallstation is a single gang decorator keypad that enable toggle/raise/lower/scene and level control of lighting zones. The wallstation is powered by and communicates with the other CAT devices via CAT5 cable through RJ45 connectors. The same CAT5 cable is used to power the wallstation. The wallstation is available in a variety of button configurations. Each button's action can be customized using the intuitive WaveLinX CAT mobile app.

Product Features & Benefits

- **Comprehensive button configuration options (multi-scene selection, raise/lower, on/off)** – Allowing specifier to offer customized experience in areas such as conference rooms, private offices, and other areas requiring architectural dimming
- **Powered by the category cable** – No separate power source required to power the wallstation.
- **Clean and Elegant design** – Suitable for all interior applications
- **Software programmable buttons** – Customize each button and light level to improve occupant experience
- Reduced commissioning time with easy configuration through WaveLinX CAT mobile app

product diagrams



Job Name:
HDSB - Glenview Public School Gym
Addition
Engineer: DEI & Associates (Waterloo)

Catalog Number:

WST-C-3-XXXX

Notes:

Type:

KP3

ML&C24-119319

WaveLinX CAT Wallstation

Order Information

WaveLinX CAT Wallstations are accessories to the WaveLinX system which may be commissioned via the WaveLinX mobile apps.



Catalog Number

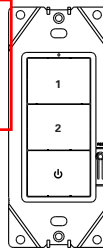
Standard Wallstation Configurations

Catalog Number	Description
WST-C-3	WaveLinX CAT Wallstation, 3 Button
WST-C-3D	WaveLinX CAT Wallstation, 3 Button Dimming
WST-C-5D	WaveLinX CAT Wallstation, 5 Button Dimming
Notes	Notes
WaveLinX CAT application required to customize programming for each button.	Suitable for use with standard and Decora wallplates (not included). Complete wallstation - buttons are not field replaceable.

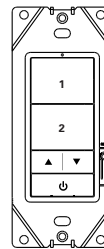
Custom Engraved Wallstation Configurations

Catalog Number	Description
WST-C-3-ENGRV	WaveLinX CAT Wallstation, 3 Button, Custom Engraved
WST-C-3D-ENGRV	WaveLinX CAT Wallstation, 3 Button Dimming, Custom Engraved
WST-C-5D-ENGRV	WaveLinX CAT Wallstation, 5 Button Dimming, Custom Engraved
Notes	Notes
WaveLinX CAT application required to customize programming for each button.	Suitable for use with standard and Decora wallplates (not included). For custom engraving use the configurator tool within the FlashPro Program (CUST-ENGRV). Complete wallstation - buttons are not field replaceable.

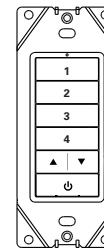
Note: Zone 3 ON/OFF buttons no preset scenes or dimming in the Gym.



WST-C-3



WST-C-3D



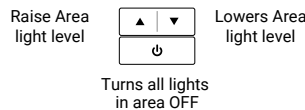
WST-C-5D

Standard button engraving for each wallstation

WST-C-3D and WST-C-3 Default engraving & light levels

- Button 1** Scene 1 = 100%
 - Button 2** Scene 3 = 50%
 - Raise press*** Increase 1% (per press)
 - hold*** Increase 15% (per sec)
 - Lower press*** Decrease 1% (per press)
 - hold*** Decrease 15% (per sec)
 - Power*** Scene 0 = OFF
- * - affects all zones in area

Raise / Lower / OFF buttons



Button programming options via WaveLinX CAT Mobile Application

- Scene Selection
- Zone Level
- Raise Level
- Lower Level
- No Action

WST-C-5D Default engraving & light levels

- Button 1** Scene 1 = 100%
 - Button 2** Scene 2 = 70%
 - Button 3** Scene 3 = 50%
 - Button 4** Scene 4 = 30%
 - Raise press*** Increase 1% (per press)
 - hold*** Increase 15% (per sec)
 - Lower press*** Decrease 1% (per press)
 - hold*** Decrease 15% (per sec)
 - Power*** Scene 0 = OFF
- * - affects all zones in area



MECHANICAL | ELECTRICAL | AQUATIC

This review by DEI Consulting Engineers Inc. is for the sole purpose of ascertaining conformance with the general design concept. This review shall not mean that DEI Consulting Engineers Inc. approves the detail design inherent in the shop drawings, responsibility for which shall remain with the contractor submitting same, and such review shall not relieve the contractor of his responsibility for errors or omissions in the shop drawings or his responsibility for meeting all requirements of the construction and contract documents.

- Reviewed
- Reviewed As Noted
- Not Reviewed
- Revise and Resubmit



Job Name:
HDSB - Glenview Public School Gym
Addition
Engineer: DEI & Associates (Waterloo)

WaveLinx

CAT Wallstation

Required Accessory

The WaveLinx CAT network requires termination of the local CAT bus network on both ends.

Catalog Number

Catalog Number	Description
ACC-C-TP-6PK	ACC-C Canbus Termination Plug - 6PK

Optional Accessories

Catalog Number

Catalog Number	Description
GGRJ45-006-G	RJ45 cables 6 inches
GGRJ45-03-G	RJ45 cables 3 feet
GGRJ45-10-G	RJ45 cables 10 feet
GGRJ45-25-G	RJ45 cables 25 feet
GGRJ45-50-G	RJ45 cables 50 feet
GGRJ45-100-G	RJ45 cables 100 feet
GGRJ45-10P-G	RJ45 cables 10 feet plenum rated
GGRJ45-25P-G	RJ45 cables 25 feet plenum rated
GGRJ45-50P-G	RJ45 cables 50 feet plenum rated
GGRJ45-100P-G	RJ45 cables 100 feet plenum rated

Product Specifications

Mechanical

Size: 4.2"H x 1.8"W x 1.5"D (107mm x 45mm x 39mm)

Mounting: Standard decorator opening (wallplate not included)

Color: White

Environmental:

- **Operating temperature:** 32°F to 104°F (0°C to 40°C)
- **Operating relative humidity:** 5% to 85% non-condensing
- **Storage temperature:** -22°F to 158°F (-30°C to 70°C)
- For indoor use only

Electrical

Input power: CAT powered

Network connection:

- CAT5 Solid Copper 24AWG
- T568B pin/pair assignment is recommended for all CAT5 cable

Hardware Specifications

Status Indicators:

- Single indicator LED
- LED functionality (active for 3 seconds after action)
 - Indication of wireless network join request
 - Indication of wireless network connection
 - Scene indication of operations

Button Configuration:

- 3 Button
- 3 Button with Raise / Lower
- 5 Button with Raise / Lower

Software Specifications

- Each button programmable to trigger Scene or Zone
- Default values when joined to a network (area) via WaveLinx application
- Models available with dominant button 50% light level
- Secure firmware upgrade OTA from mobile application

Standards/Ratings*

- cULus Listed - Energy Management Equipment (UL916)
- FCC Part 15
- Meets latest ASHRAE Standard 90.1 requirements
- Meets latest IECC 2021 requirements
- Meets latest CEC Title 24 requirements
- NEMA WD-7 and NEMA 4 compliant
- CA Title 20 and Prop 65 compliant

Environmental Regulations:

- RoHS

Warranty

Five year warranty standard

Note: Use of ammonia based or VOC cleaners on this device must be avoided. Prolonged use may cause loss of integrity and expose electrified components. If this occurs, turn OFF power to the unit and replace.



Download the WaveLinx CAT Mobile Application from either the Google Play or Apple Store®



Job Name:
HDSB - Glenview Public School Gym
Addition
Engineer: DEI & Associates (Waterloo)

Catalog Number:
WST-C-3-XXXX

Notes:

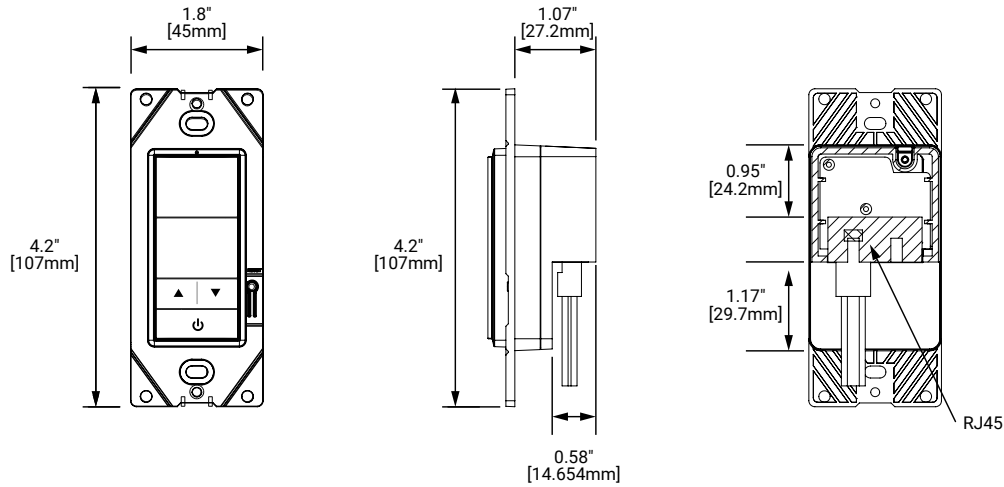
Type:

KP3

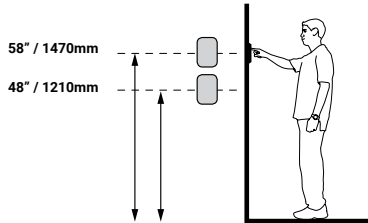
ML&C24-119319

WaveLinx CAT Wallstation

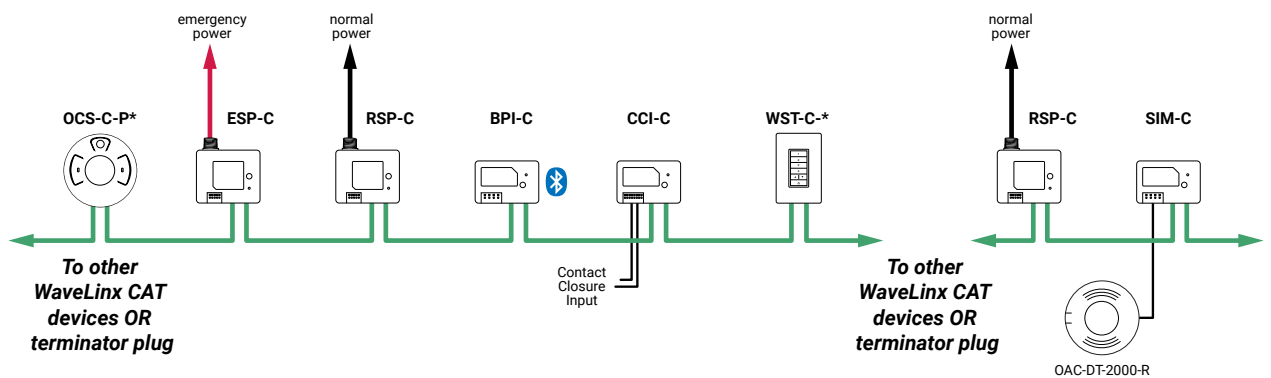
Dimensional Details



Mounting Height



Typical Topology



*T24 and RoHS are self-tested by Cooper Lighting Solutions. Not a third party certification.



WaveLinX CAT Wallstation

System Diagram:

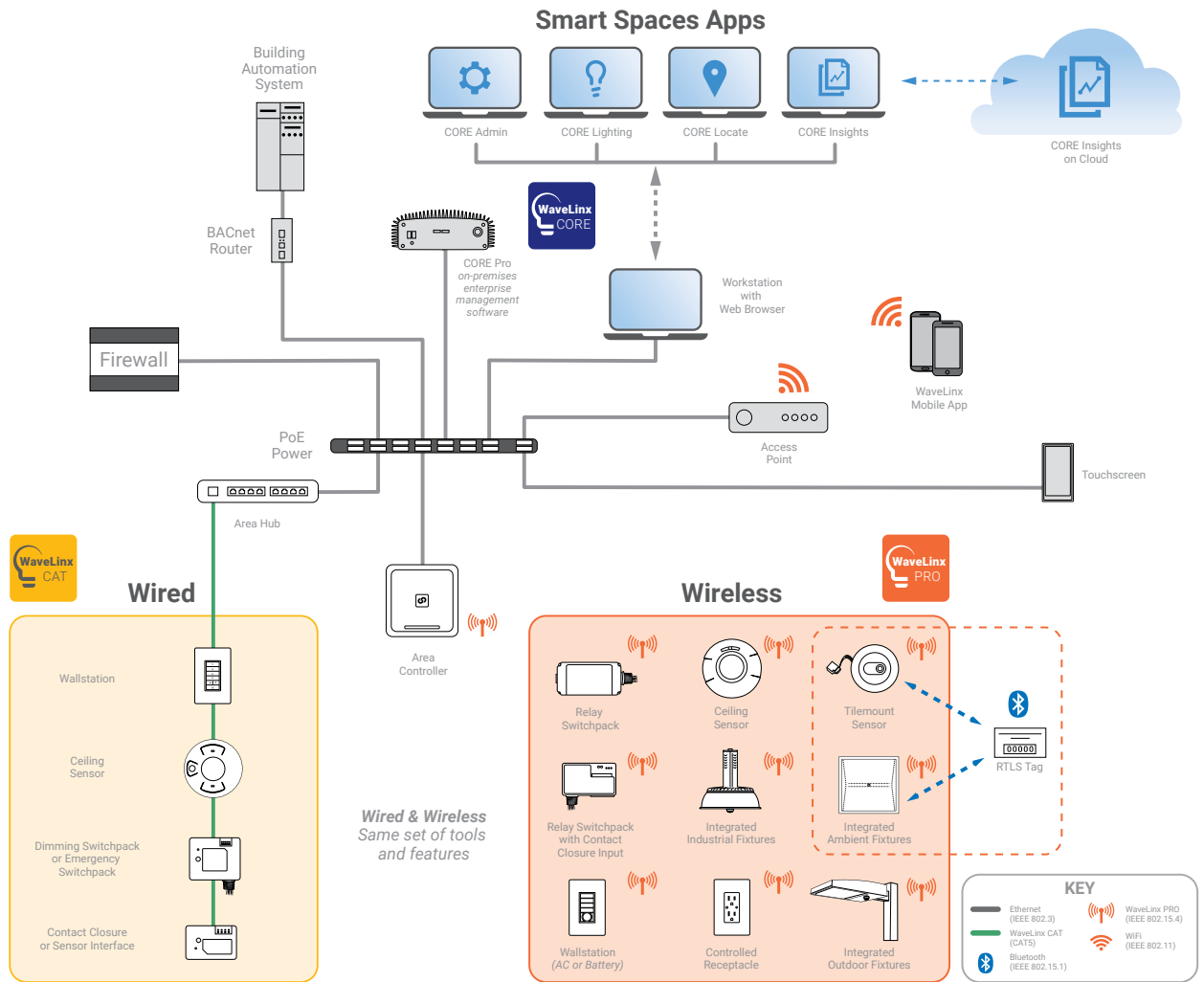
This diagram shows the main components of the WaveLinX connected lighting system with CAT and PRO devices.

The PRO devices communicate using wireless mesh technology based on the IEEE 802.15.4 standard. A PoE LAN connection for each WaveLinX Area Controller (WAC) is required for power and data access to the building lighting network.

The CAT devices communicate over the category 5 based communication bus and control the light fixtures using a relay (on/off) and 0-10V output (dim/raise).

WaveLinX Area Controllers (WAC) communicate with WaveLinX CORE Apps over the Ethernet network.

[View WaveLinX Network and IT Guidance Technical Guide](#)



Control Systems
• WaveLinX



Project	Catalog #	Type
Prepared by	Notes	Date



Greengate

SP15 & SP20 Heavy Duty Switchpacks

Provide 15 VDC operating voltage to all low voltage, 15 VDC occupancy sensors and daylighting controllers

Interactive Menu

- Order Information page 2
- Wiring Diagrams page 3
- Mounting Diagrams page 3
- Connected Systems page 3
- Product Warranty

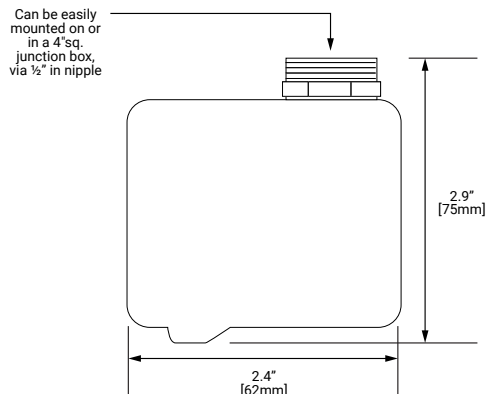
Product Certification



Top Product Features

- Replaces separate transformers and relays
- Zero-crossing circuit provides increased durability, especially with today's high inrush loads
- Capable of switching up to 20 Amps
- Suitable for Plenum use
- Rated for Ballast, Tungsten and Motor Loads
- LED ready

Dimensional and Mounting Details



MECHANICAL | ELECTRICAL | AQUATIC

This review by DEI Consulting Engineers Inc. is for the sole purpose of ascertaining conformance with the general design concept. This review shall not mean that DEI Consulting Engineers Inc. approves the detail design inherent in the shop drawings, responsibility for which shall remain with the contractor submitting same, and such review shall not relieve the contractor of his responsibility for errors or omissions in the shop drawings or his responsibility for meeting all requirements of the construction and contract documents.

- | | |
|--|--|
| <input checked="" type="checkbox"/> Reviewed | <input type="checkbox"/> Reviewed As Noted |
| <input type="checkbox"/> Not Reviewed | <input type="checkbox"/> Revise and Resubmit |

additional product diagrams



Job Name:
HDSB - Glenview Public School Gym
Addition
Engineer: DEI & Associates (Waterloo)

Catalog Number:
SP20-MV

Notes:

Type:

PP2

ML&C24-119319

Greengate

Heavy Duty Switchpack

Order Information



Catalog Number

Catalog Number	Ratings	(LED) Ballast	Tungsten	Motor (HP)	Output
SP20-MV	120/277 VAC, 50/60 Hz	20A	15A, 120V	1HP-120V, 2HP-250V	15 VDC, 125mA
SP15-347	347 VAC, 50/60 Hz	15A	NR	NR	15 VDC, 125mA
SP20-240	220-240 VAC, 50/60 Hz	20A	NR	NR	15 VDC, 125mA

Product Specifications

Key Features

Switchpacks provide 15 VDC operating voltage to all low voltage, 15 VDC occupancy sensors and daylighting controllers. A single switchpack can provide power for up to five sensors. Up to ten switchpacks can be connected to one sensor for control of multiple circuits. Isolated contacts may also be used to control HVAC, contactors, motors, etc.

- Replaces separate transformers and relays
- Zero-crossing circuit provides increased durability, especially with today's high inrush loads
- Capable of switching up to 20 Amps
- Suitable for Plenum use
- Rated for Ballast, Tungsten and Motor Loads
- LED ready

Mechanical

Size: 2.94"H x 2.44"W x 1.69"D (74.67mm x 61.97mm x 42.92mm)

Environment:

- **Operating temperature:** 32°F - 104°F (0°C - 40°C)
- **Relative humidity operating:** Less than 95%, non-condensing
- For indoor use only

Mounting: Mounts to the side of a 4" square box via 1/2" knockout

Housing:

- Medium impact injection molded housing.
- ABS resin complies with UL 94V-0. Plenum rated for external junction box mounting, with Teflon coated leads

Electrical

Input:

- (120/277 VAC-SP20-MV), (347 VAC-SP15-347), (220-240 VAC-SP20-240), 50/60 Hz operation
- Contacts are isolated and may be used to control low voltage circuits

Output:

- 15 VDC 125mA to operate up to five Greengate sensors

Control: Connecting the 22 AWG red and blue control leads to each other will close the relay contacts

Load: 1 HP 120-240 VAC; 2 HP 250 VAC

Ballast compatibility:

- LED loads
- Magnetic and Electronic ballasts
- NOTE: The life of some compact fluorescent lamps (CFLs) is shortened by frequent automatic or manual switching. Check with the CFL and ballast manufacturer to determine effects of cycling

Standards/Ratings

- UL Listed
- CSA Listed

Warranty

Consult website for warranty information

Description/Operation

The switchpack has two main components: a transformer and one high current relay. The transformer has a primary line voltage input and a secondary low voltage output. The low voltage output, 15 VDC, provides operating power to connected low voltage Greengate occupancy sensors. When an occupancy sensor detects motion, it electrically closes an internal circuit, pulling up the control signal between the sensor and the switchpack. This signals the switchpack to close its high current relay, turning the connected load on.

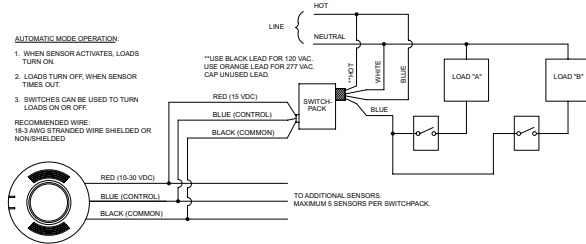
Applications

The switchpack is designed to work with low voltage sensors which require switchpacks. It cannot be used with sensors designed for use with any other low voltage relay systems. Consult sensor spec sheets for other sensor relay combinations.

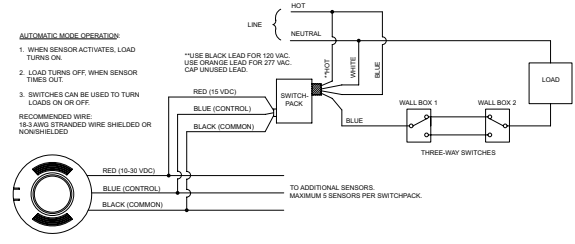
Greengate Heavy Duty Switchpack

Wiring Diagrams

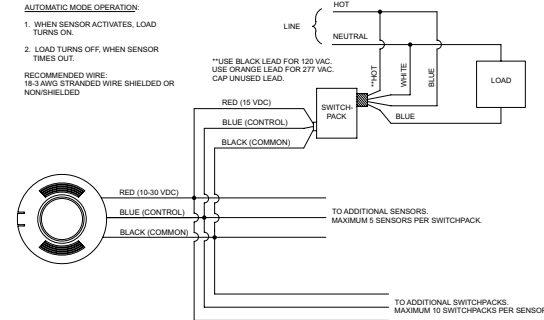
A/B Switching



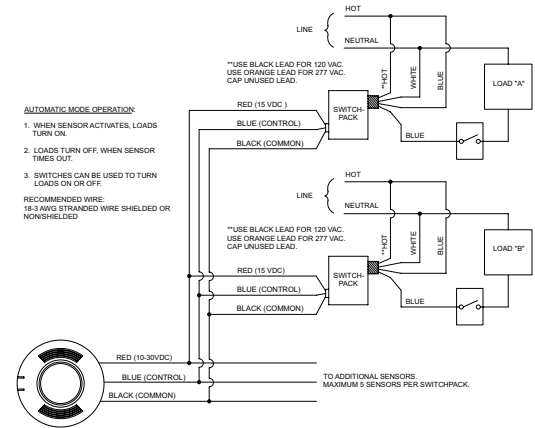
Three Way Switching



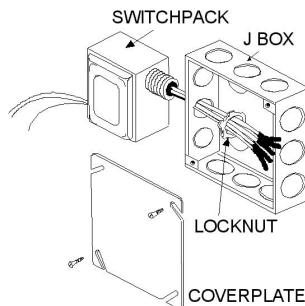
Standard Configuration



2 Circuits, 1 Sensor



Mounting



All connections are made via pigtails with twist-on wire connectors.
Connect either the orange or black supply lead to the power source, depending upon the power requirements. Cap the unused lead.

Control Systems
• Greengate



Job Name:
HDSB - Glenview Public School Gym
Addition
Engineer: DEI & Associates (Waterloo)

Catalog Number:
SP20-RD4

Notes:

Type:

PP

ML&C24-119319

Project		Catalog #		Type	
Prepared by		Notes		Date	



Greengate

SP20-RD4 Heavy Duty Switchpack

Provides 24 VDC operating voltage to all low-voltage, 24 VDC occupancy sensors and daylighting controllers

Interactive Menu

- Order Information page 2
- Wiring Diagrams page 3
- Mounting Diagrams page 4
- Connected Systems page 4
- Product Warranty

Product Certification



- Meets ASHRAE Standard 90.1 requirements
- Meets Title 24 requirements

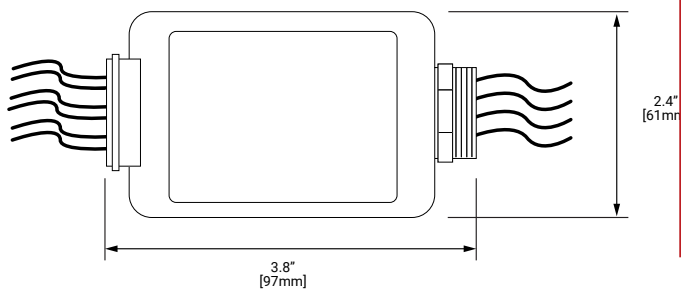
Product Features



Top Product Features

- Auto ON or Manual On
- Photocell ready
- Fail-safe circuitry – in the event of failure, return-to-closed (ON) capability
- Zero-crossing circuit provides increased durability, especially with today's high inrush loads
- Voltage regulated to 24VDC, 225mA
- LED ready
- Suitable for general purpose plug load control

Dimensional and Mounting Details



MECHANICAL | ELECTRICAL | AQUATIC

This review by DEI Consulting Engineers Inc. is for the sole purpose of ascertaining conformance with the general design concept. This review shall not mean that DEI Consulting Engineers Inc. approves the detail design inherent in the shop drawings, responsibility for which shall remain with the contractor submitting same, and such review shall not relieve the contractor of his responsibility for errors or omissions in the shop drawings or his responsibility for meeting all requirements of the construction and contract documents.

Reviewed

Reviewed As Noted

Not Reviewed

Revise and Resubmit

additional product diagrams



Job Name:
HDSB - Glenview Public School Gym
Addition
Engineer: DEI & Associates (Waterloo)

Catalog Number:
SP20-RD4

Notes:

Type:

PP

ML&C24-119319

Greengate

Heavy Duty Switchpack

Order Information

Catalog Number

Catalog Number	Ratings	(LED) Ballast	General Purpose (Plug Load)	Motor (HP)	Output
SP20-RD4	120-230-277VAC, 50/60 Hz	16A	20A	1/2HP-120V, 2HP-250V	24 VDC, 225mA

Product Specifications

Key Features

- The SP20-RD4 is the latest addition to the Greengate Switchpacks family, delivering a wide array of switching solutions in a single unit
- This robust switchpack is designed to deliver unmatched performance
- The SP20-RD4 features robust and reliable mechanical latching relays, exclusive fail-safe circuitry, daylight harvesting, bi-level switching and is configurable for energy code requirements
- The switchpack is specifically designed to handle high inrush electronic ballast loads and offer unmatched durability and service
- Can be used to comply with NY LL48, IECC, ASHRAE 90.1 and Title 24, Part 6 daylight harvesting, demand response, bi-level switching and receptacle control requirements
- Auto-ON / Auto-OFF with local switch
- Manual-ON / Auto-OFF with local switch

Mechanical

Size: 2.40"H x 3.81"W x 1.43"D (60.96mm x 96.80mm x 36.37mm)

Environment:

- Operating temperature:** 32°F - 122°F (0°C - 50°C)
- Relative humidity operating:** 0-90%, non-condensing
- For indoor use only

Mounting: Plenum rated for external junction box mounting, with Teflon coated leads

Housing:

- Case:** high impact, UL rated plastic
- Relay:** 60A rated magnetic latching relay; silver alloy contacts
- Wire:** 6" leads, 18AWG input; 14AWG load; LV connections: 8" leads 22AWG
- Medium impact injection molded housing.
- ABS resin complies with UL 94V-0.

Electrical

Input:

- 120-230-277VAC, 50/60 Hz

Output:

- 20A, 2400W @ 120V – Resistive
- 20A, 2400W @ 120V – General Purpose
- 20A, 2400W @ 120V – Incandescent
- 20A, 2400W @ 120V – Fluorescent
- 16A, 1920VA @ 120V – Electronic Ballasts
- 16A, 1920W @ 120V – LED
- 20A, 5540W @ 277V – Resistive
- 20A, 5540W @ 277V – General Purpose
- 20A, 5540VA @ 277V – Fluorescent
- 16A, 4430VA @ 277V – Electronic Ballasts
- 16A, 4430W @ 277V – LED
- 1/2 HP @ 120V – Motor Load
- 2 HP @ 240/277V – Motor Load
- Suitable for general purpose plug load control - 20A, 2400W @120V
- Can be used to comply with NY LL48, IECC, ASHRAE 90.1 and Title 24, Part 6 daylight harvesting, demand response, bi-level switching and receptacle control requirements

Control: 2mA, 24VDC

Load: 1 HP 120-240 VAC; 2 HP 250 VAC

Ballast compatibility:

- LED loads
- Magnetic and Electronic ballasts

Standards/Ratings

- UL/cUL Listed
- FCC Certified
- NOM Certified
- Can be used to comply with NY LL48, IECC, ASHRAE 90.1 and Title 24, Part 6 daylight harvesting, demand response, bi-level switching and receptacle control requirements

Environmental Regulations:

- RoHs Compliant

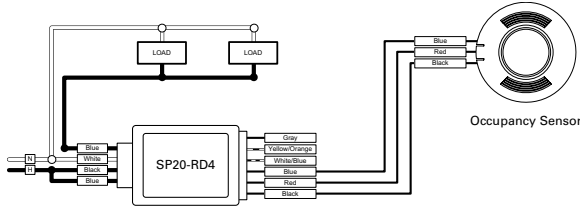
Warranty

Five-year warranty standard

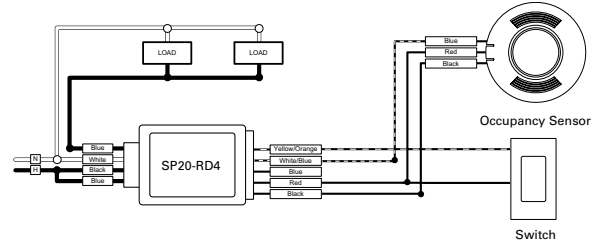
Greengate Heavy Duty Switchpack

Wiring Diagrams

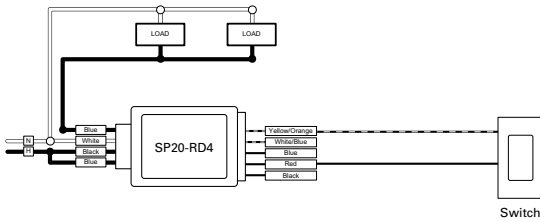
Auto ON/Auto OFF



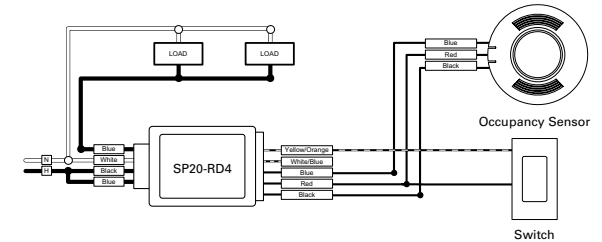
Manual ON/Auto OFF with Local Switch



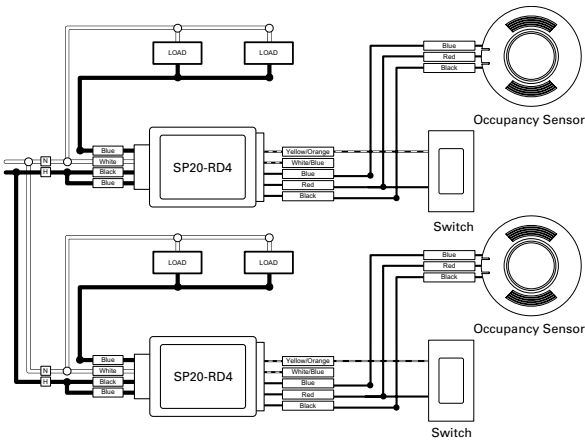
Local Switch ONLY



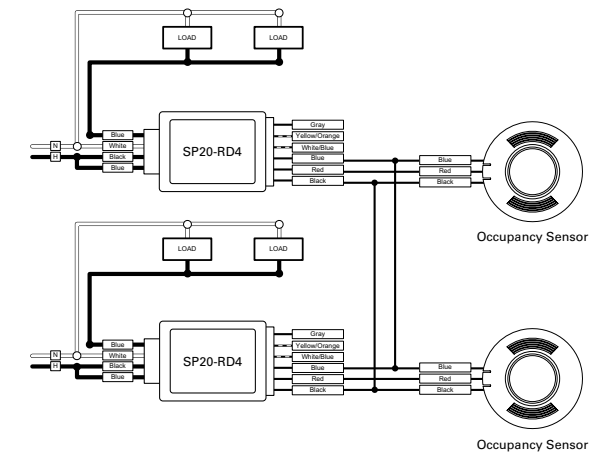
Auto ON/Auto OFF with Local Switch



Bi-Level Switching



Multiple Occupancy Sensors Exceeding the Power Packs Rating

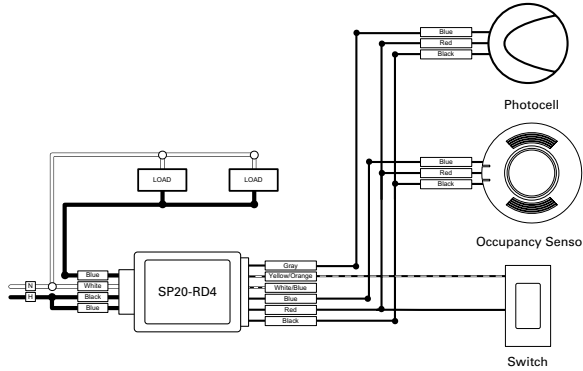


Note: Switchpack and the load switched by the switchpack **MUST** be fed from the same phase.

Greengate Heavy Duty Switchpack

Wiring Diagram

Photocell and Occupancy Sensor with Local Switch

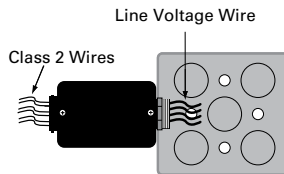


Troubleshooting
When testing a UL1008 transfer switches, the switchpack will become unresponsive. Cycle power to the powerpack. Remove power for more than 10 seconds and the return power. The powerpack will begin normal operation. Ensure the transfer delay time on the transfer switch is either less than 3 seconds or greater than 5.5 seconds.

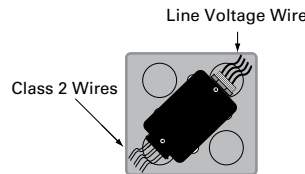
Note: Switchpack and the load switched by the switchpack MUST be fed from the same phase.

Mounting

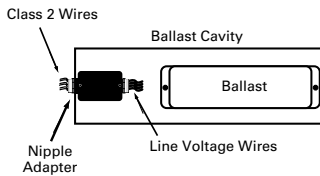
Note: If installing powerpacks where a UL1008 switch is being used for emergency power, ensure the 1008 switch timer to switch from normal to emergency power is less than 3 seconds or greater than 5.5 seconds.



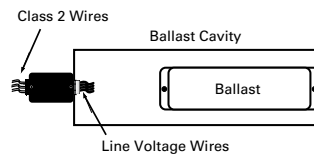
Mounts outside junction box



Mounts inside junction box



Mounts inside Fixture



Mounts outside Fixture

Control Systems
• Greengate



Job Name:
HDSB - Glenview Public School Gym
Addition
Engineer: DEI & Associates (Waterloo)

Project		Catalog #		Type	
Prepared by		Notes		Date	



WaveLinX

CAT Dimming Switchpack (RSP-C-010-Z1)

20A relay switchpack with 0-10V control and 24VDC power output to power the CAT bus

Typical Applications

Office • Education • Healthcare • Hospitality • Retail

Interactive Menu

- Order Information page 2
- Additional Resources page 3
- Wiring Diagrams page 3
- Connected Systems page 4
- Product Warranty

Product Certification*



- Meets latest ASHRAE 90.1 - 2019 requirements
- Meets latest IECC - 2021 requirements
- Meets latest Title 24 - 2019 requirements
- Manufactured in an ISO 9001 certified factory

Product Features



Compatibility



Overview

The CAT Dimming Switchpack (RSP-C-010-*) is used to switch (on/off) loads via an internal 20amp latching relay designed with robust protection. It also offers continuous 0-10V dimming control of LED and non LED loads. Finally, the CAT Dimming Switchpack provides power to the CAT bus by transforming Class 1 line voltage (120/277 VAC) to Class 2 low voltage (24 VDC).

Product Features & Benefits

- **20 Amps latching relay** - Allows to turn on/off LED and non LED loads
- **0-10V dimming with 30mA sink** - Allows to raise and dim fixtures powered with 0-10V drivers.
- **24VDC output power with 350mA** - Powers the CAT bus and up to 40 CAT devices.
- **Digital communication over CAT** - Enables remote configuration of the device settings such as zone assignment via WaveLinX apps (mobile or web-based apps)



MECHANICAL | ELECTRICAL | AQUATIC

This review by DEI Consulting Engineers Inc. is for the sole purpose of ascertaining conformance with the general design concept. This review shall not mean that DEI Consulting Engineers Inc. approves the detail design inherent in the shop drawings, responsibility for which shall remain with the contractor submitting same, and such review shall not relieve the contractor of his responsibility for errors or omissions in the shop drawings or his responsibility for meeting all requirements of the construction and contract documents.

Reviewed

Reviewed As Noted

Not Reviewed

Revise and Resubmit





Job Name:
HDSB - Glenview Public School Gym
Addition
Engineer: DEI & Associates (Waterloo)

Catalog Number:
RSP-C-010-Z1

Notes:

Type:

RSP

ML&C24-119319

WaveLinx

CAT Dimming Switchpack

Order Information

Catalog Number

Catalog Number	Description
RSP-C-010-Z1	WaveLinx CAT RSP-C Relay Switchpack - Zone 1

Required Accessory

The WaveLinx CAT network requires termination of the local CAT bus network on both ends.

Catalog Number

Catalog Number	Description
ACC-C-TP-6PK	ACC-C Canbus Termination Plug - 6PK

Optional Accessories

Catalog Number

Catalog Number	Description
GGRJ45-006-G	RJ45 cables 6 inches
GGRJ45-03-G	RJ45 cables 3 feet
GGRJ45-10-G	RJ45 cables 10 feet
GGRJ45-25-G	RJ45 cables 25 feet
GGRJ45-50-G	RJ45 cables 50 feet
GGRJ45-100-G	RJ45 cables 100 feet
GGRJ45-10P-G	RJ45 cables 10 feet plenum rated
GGRJ45-25P-G	RJ45 cables 25 feet plenum rated
GGRJ45-50P-G	RJ45 cables 50 feet plenum rated
GGRJ45-100P-G	RJ45 cables 100 feet plenum rated

Product Specifications

Mechanical

Size: 4.3" x 3.6" x 1.7" (109.4mm x 91.31mm x 42.64mm)

Weight: 0.25 lbs (0.113 kg)

Mounting: Extended Chase Nipple

Color: Black

Environmental:

- **Operating temperature:** 32°F to 122°F (0°C to 50°C)
- **Operating relative humidity:** 5% to 85% non-condensing
- **Storage temperature:** -22°F to 158°F (-30°C to 70°C)
- For indoor use only

Electrical

Input: 120-277VAC ± 10% 47-63Hz

Output:

- 24VDC, 350mA out on CAT Network
- Switched: Latching, NEMA 410 rated
 - 20A, 277V (resistive loads)
- 30mA, 0-10VDC Dimming Sink Current
- SCCR rating: 5kA
- Isolated Form C Relay: 1A, 30V AC/DC

Wiring:

- 0-10V positive: 18AWG stranded (Violet)
- 0-10V negative 18AWG stranded (Pink)
- AC Line In: 12AWG stranded (Black)
- AC Line Out: 12AWG stranded (Blue)
- AC Neutral In 12AWG stranded (White)

Network connection:

- 2 X RJ-45 connector for CAT5 Solid Copper cables
- T568B pin/pair assignment is recommended for all CAT5 cables

Standards/Ratings*

- cULus Listed - Energy Management Equipment (UL916)
- UL Listed (UL508)
- FCC Part 15, Part B
- Manufactured in an ISO 9001 certified factory
- Meets latest ASHRAE 90.1 - 2019 requirements
- Meets latest IECC - 2021 requirements
- Meets latest Title 24 - 2019 requirements
- Plenum UL2043
- Chicago Plenum rated

Environmental Regulations:

- RoHS

Warranty

Five year warranty standard



Download the WaveLinx CAT Mobile Application from either the Google Play or Apple Store®

*T24 and RoHS are self-tested by Cooper Lighting Solutions. Not a third party certification.



Job Name:
HDSB - Glenview Public School Gym
Addition
Engineer: DEI & Associates (Waterloo)

Catalog Number:
RSP-C-010-Z1

Notes:

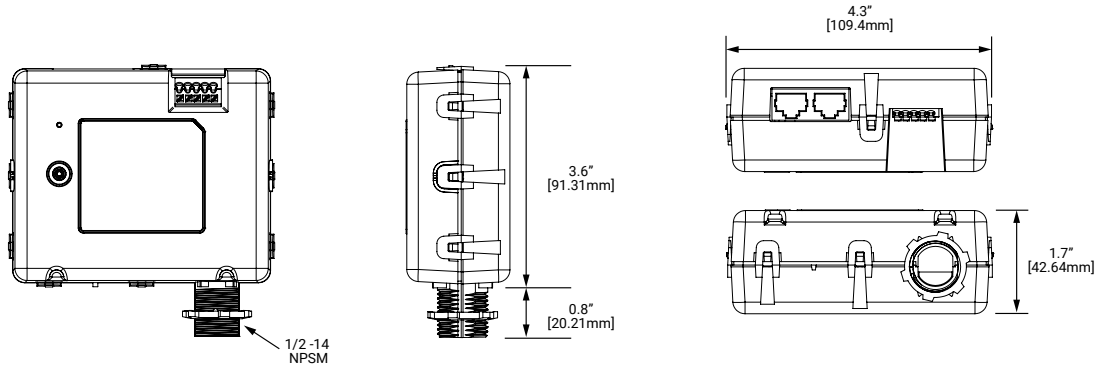
Type:

RSP

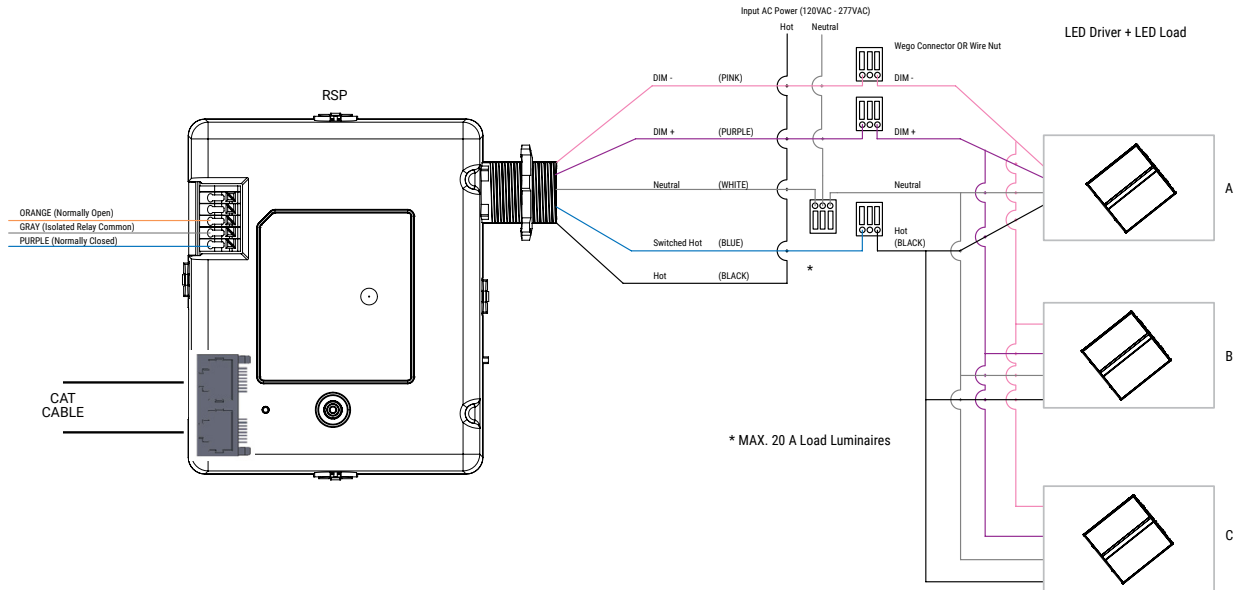
ML&C24-119319

WaveLinx CAT Dimming Switchpack

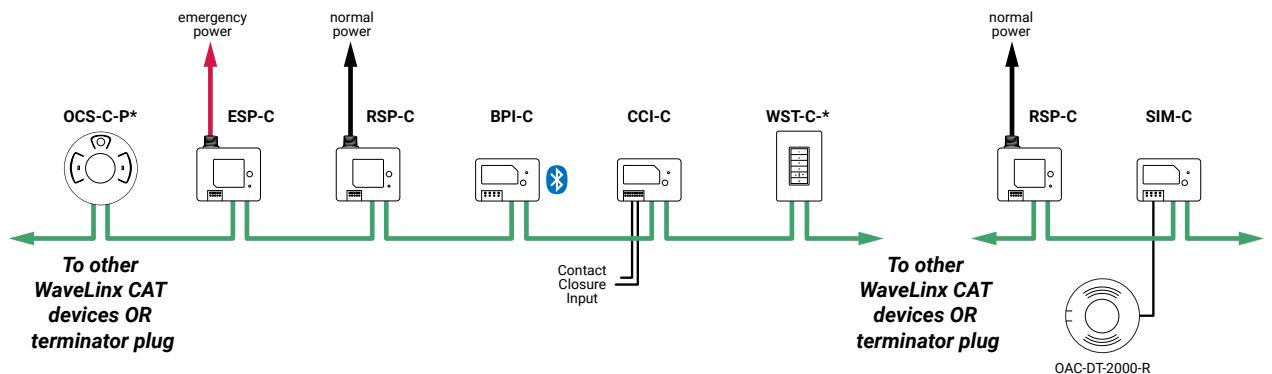
Dimensional Details



Wiring Diagrams



Typical Topology





WaveLinX CAT Dimming Switchpack

System Diagram:

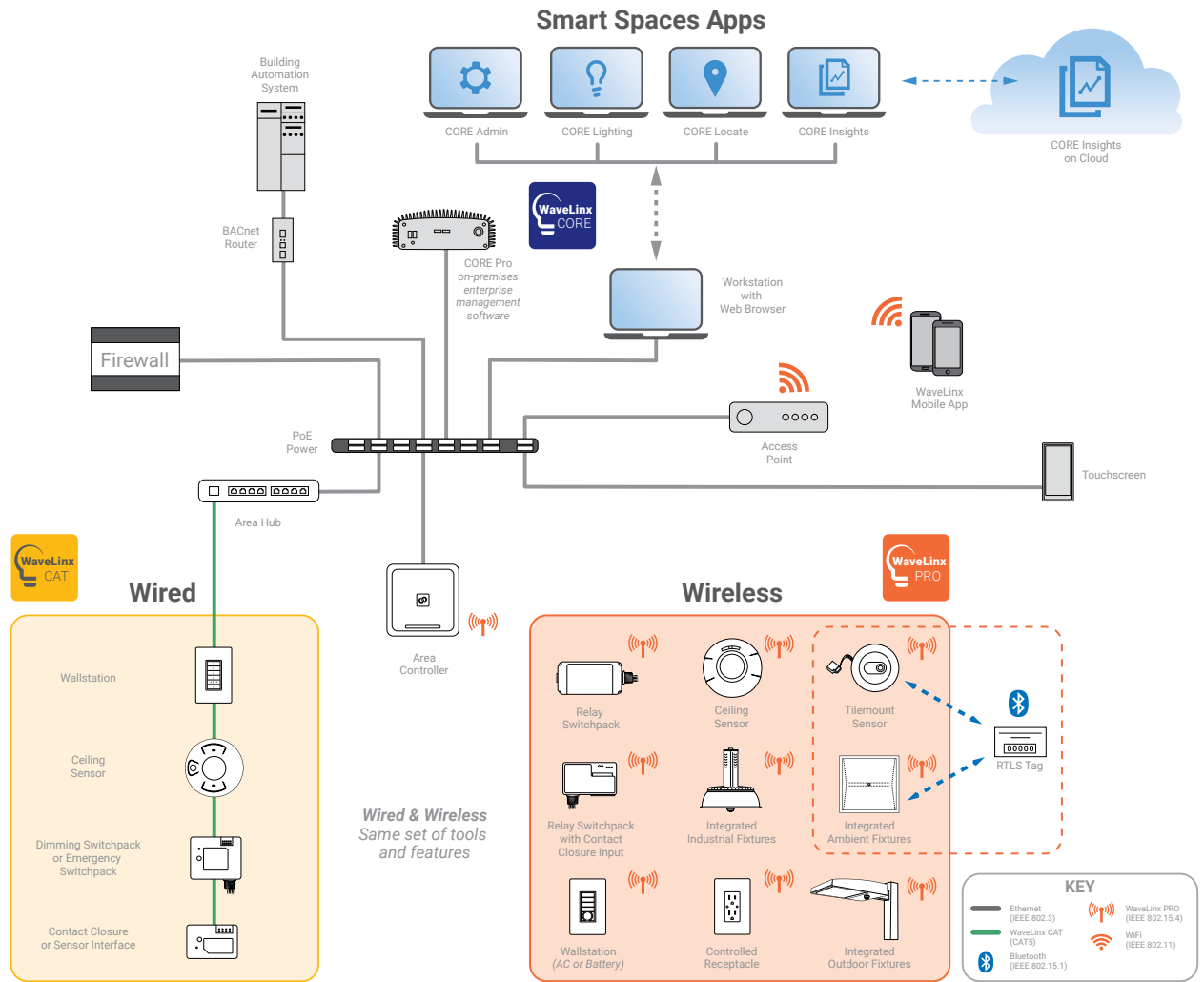
This diagram shows the main components of the WaveLinX connected lighting system with CAT and PRO devices.

The PRO devices communicate using wireless mesh technology based on the IEEE 802.15.4 standard. A PoE LAN connection for each WaveLinX Area Controller (WAC) is required for power and data access to the building lighting network.

The CAT devices communicate over the category 5 based communication bus and control the light fixtures using a relay (on/off) and 0-10V output (dim/raise).

WaveLinX Area Controllers (WAC) communicate with WaveLinX CORE Apps over the Ethernet network.

[View WaveLinX PRO Network and IT Guidance Technical Guide](#)



Control Systems
• WaveLinX



Job Name:
HDSB - Glenview Public School Gym
Addition
Engineer: DEI & Associates (Waterloo)

Project		Catalog #		Type	
Prepared by		Notes		Date	



WaveLinx

CAT Sensor Interface Module (SIM-C-V)

Offers connectivity to DualTech Analog Sensors

Typical Applications

Office • Education • Healthcare • Hospitality • Retail

Interactive Menu

- Order Information page 2
- Additional Resources page 3
- Wiring Diagrams page 3
- Connected Systems page 4
- Product Warranty

Product Certification*



- Meets latest ASHRAE 90.1 - 2019 requirements
- Meets latest IECC - 2021 requirements
- Meets latest Title 24 - 2019 requirements
- Manufactured in an ISO 9001 certified factory

Product Features



Compatibility




Overview

The Sensor Interface module is an integral part of the WaveLinx connected lighting system and provides network addressability to a variety of Greengate dual tech sensors. The sensors are powered by the SIM module offers a limited configurability for sensor parameters through WaveLinx CAT mobile app.

Product Features & Benefits

- **Augment the sensor offering to meet the specifications** – Compatible with Greengate brand ceiling mount, wall mount / corner mount, and wallbox dual tech sensors
- **Simple Installation** – Powered by CAT Bus, no separate power supply is required
- **Easy to configure** – Limited remote configuration via WaveLinx mobile apps



MECHANICAL | ELECTRICAL | AQUATIC

This review by DEI Consulting Engineers Inc. is for the sole purpose of ascertaining conformance with the general design concept. This review shall not mean that DEI Consulting Engineers Inc. approves the detail design inherent in the shop drawings, responsibility for which shall remain with the contractor submitting same, and such review shall not relieve the contractor of his responsibility for errors or omissions in the shop drawings or his responsibility for meeting all requirements of the construction and contract documents.

Reviewed
 Not Reviewed

Reviewed As Noted
 Revise and Resubmit

product diagrams



Job Name:
HDSB - Glenview Public School Gym
Addition
Engineer: DEI & Associates (Waterloo)

Catalog Number:
SIM-C-V

Notes:

Type:

SIM

ML&C24-119319

WaveLinx

CAT Sensor Interface Module

Order Information

Catalog Number

Catalog Number	Description
SIM-C-V	SIM-C Sensor Interface Module
SIM-OAC-DT-1000	SIM-C Sensor Interface Module with OAC-DT-1000 Ceiling Sensor Combo
SIM-OAC-DT-2000	SIM-C Sensor Interface Module with OAC-DT-2000 Ceiling Sensor Combo

Required Accessory

The WaveLinx CAT network requires termination of the local CAT bus network on both ends.

Catalog Number

Catalog Number	Description
ACC-C-TP-6PK	ACC-C Canbus Termination Plug - 6PK

Optional Accessories

Catalog Number

Catalog Number	Description
GGRJ45-006-G	RJ45 cables 6 inches
GGRJ45-03-G	RJ45 cables 3 feet
GGRJ45-10-G	RJ45 cables 10 feet
GGRJ45-25-G	RJ45 cables 25 feet
GGRJ45-50-G	RJ45 cables 50 feet
GGRJ45-100-G	RJ45 cables 100 feet
GGRJ45-10P-G	RJ45 cables 10 feet plenum rated
GGRJ45-25P-G	RJ45 cables 25 feet plenum rated
GGRJ45-50P-G	RJ45 cables 50 feet plenum rated
GGRJ45-100P-G	RJ45 cables 100 feet plenum rated

Product Specifications

Key Features

- List of compatible Greengate Sensor Catalog number:
 - OAWC-DT-120W
 - OAWC-DT-120W-R
 - OAC-P-0500-R
 - OAC-P-1500
 - OAC-P-0500
 - ONW-D-1001-SP-W
 - ONW-P-1001-SP-W
 - OAC-DT-0501
 - OAC-DT-0501-R
 - OAC-DT-1000
 - OAC-DT-1000-R
 - OAC-DT-2000
 - OAC-DT-2000-R
 - OAC-P-1500-R
 - OAC-U-2000
 - OAC-U-2000-R
- Programmable by mobile app
- Device identification LED

Mechanical

Size: 2.28" W X 3.34" H X 1.5" D (58mm x 85mm x 38mm)

Mounting: Detachable mounting tabs

Color: Black

Environmental:

- Operating temperature:** 32°F to 104°F (0°C to 40°C)
- Operating relative humidity:** 5% to 85% non-condensing
- Storage temperature:** -22°F to 158°F (-30°C to 70°C)
- For indoor use only

Electrical

Output Types:

- 24VDC pass through with protection to power a sensor (ONE Greengate sensor powered by ONE SIM)

Input Types:

- Two (2) non-isolated inputs from Greengate Sensor

Network connection:

- CAT-5 Solid Copper 24AWG
- T568B pin/pair assignment is recommended for all CAT-5 cable

Standards/Ratings*

- cULus Listed - Energy Management Equipment (UL916)
- FCC Part 15
- Manufactured in an ISO 9001 certified factory
- Meets latest ASHRAE 90.1 - 2019 requirements
- Meets latest IECC - 2021 requirements
- Meets latest Title 24 - 2019 requirements

Environmental Regulations:

- RoHS
- Plenum UL2043
- Chicago Plenum rated

Warranty

Five year warranty standard



Download the WaveLinx CAT Mobile Application from either the Google Play or Apple Store®

*T24 and RoHS are self-tested by Cooper Lighting Solutions. Not a third party certification.



Job Name:
HDSB - Glenview Public School Gym
Addition
Engineer: DEI & Associates (Waterloo)

Catalog Number:
SIM-C-V

Notes:

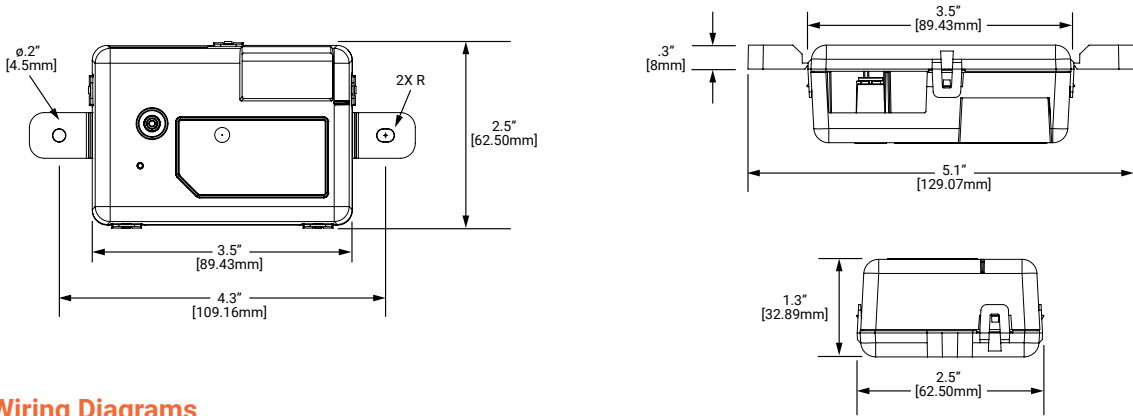
Type:

SIM

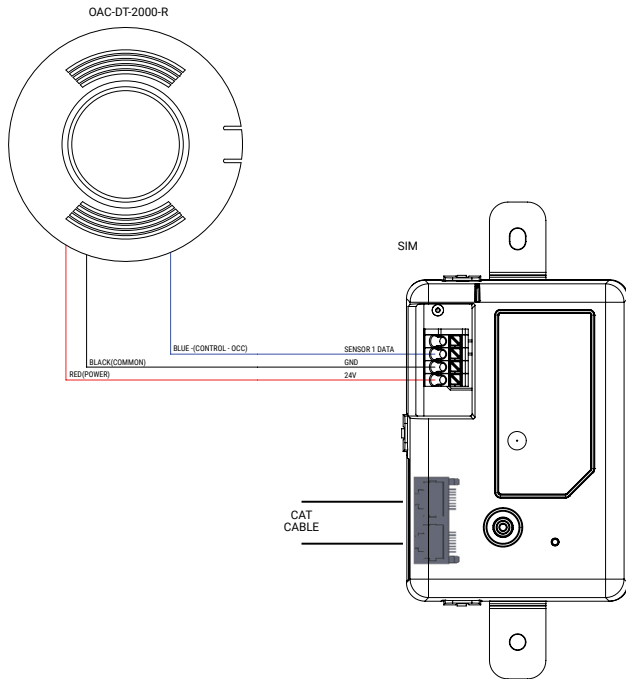
ML&C24-119319

WaveLinx CAT Sensor Interface Module

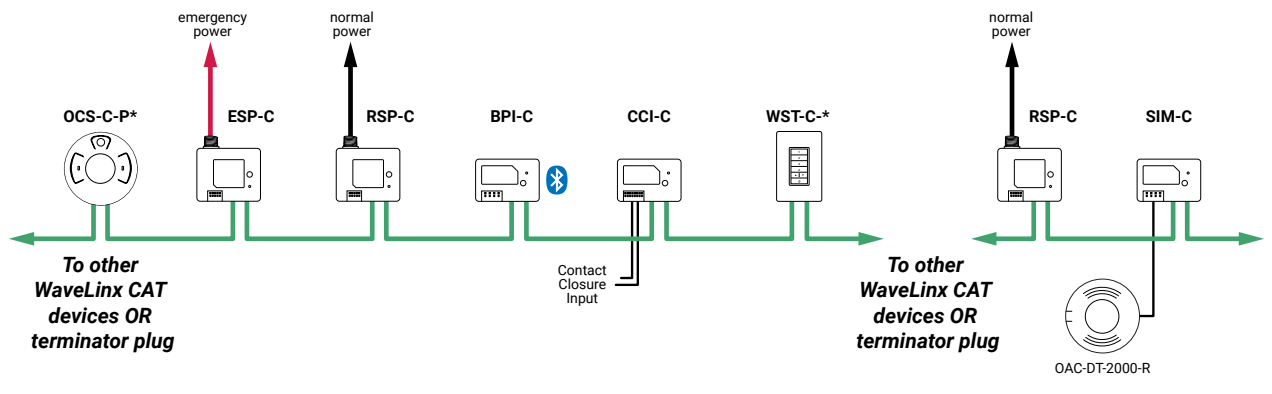
Dimensional Details



Wiring Diagrams



Typical Topology





WaveLinX CAT Sensor Interface Module

System Diagram:

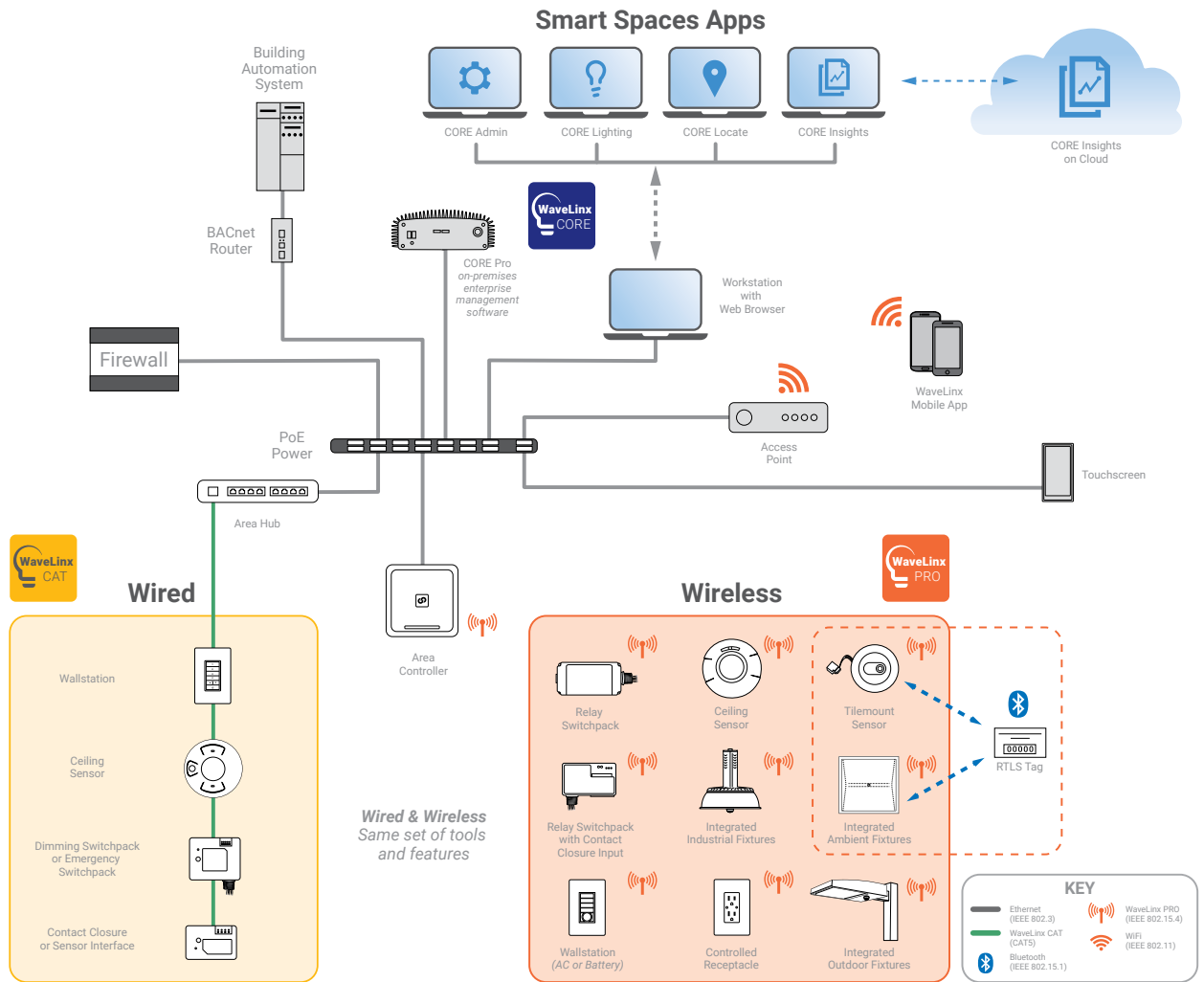
This diagram shows the main components of the WaveLinX connected lighting system with CAT and PRO devices.

The PRO devices communicate using wireless mesh technology based on the IEEE 802.15.4 standard. A PoE LAN connection for each WaveLinX Area Controller (WAC) is required for power and data access to the building lighting network.

The CAT devices communicate over the category 5 based communication bus and control the light fixtures using a relay (on/off) and 0-10V output (dim/raise).

WaveLinX Area Controllers (WAC) communicate with WaveLinX CORE Apps over the Ethernet network.

[View WaveLinX Network and IT Guidance Technical Guide](#)



Control Systems
• WaveLinX



Job Name:
HDSB - Glenview Public School Gym
Addition
Engineer: DEI & Associates (Waterloo)

Catalog Number:
R1 DRAWING PACKAGE

Notes:

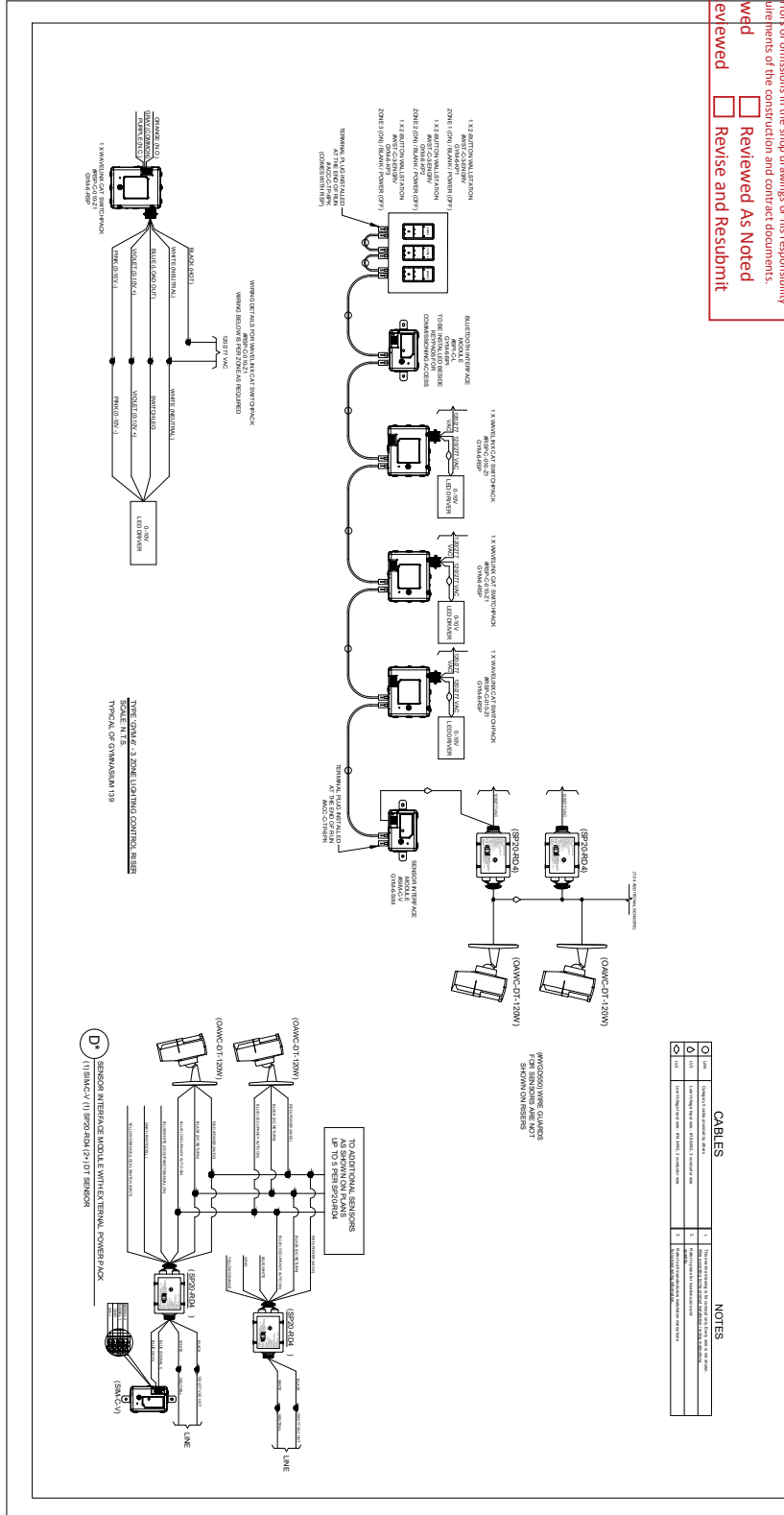
Type:
LTG. CTRL. R1

ML&C24-119319

DEI Consulting
MECHANICAL ELECTRICAL PLUMBING

This review by DEI Consulting Engineers Inc. is for the sole purpose of ascertaining conformance with the general design concept. This review shall not mean that DEI Consulting Engineers Inc. approves the detail design inherent in the Shop drawings. Responsibility for which shall remain with the contractor submitting same. And such review shall not release the contractor of his responsibility for providing all requirements of the construction and contract documents.

Reviewed As Noted
 Reviewed
 Not Reviewed
 Reverse and Resubmit



Project number:	revision number:
ML&C24-119481	0
Drawing number:	

PROJECT NAME:
GLENVIEW PUBLIC SCHOOL
GYMNASIUM ADDITION
143 TOWNSEND AVENUE, BURLINGTON, ONTARIO
DEI CONSULTING ENGINEERS

Drawing title:
PROJECT SPECIFIC
LIGHTING CONTROL RISER DIAGRAMS

drawn by:	AS
checked by:	AS
scale:	N.T.S.
date:	SEPTEMBER 2024

THESE DOCUMENTS ARE NOT TO BE SCALED.
CONTRACTOR IS RESPONSIBLE TO VERIFY ALL QUANTITIES SHOWN ON DRAWING PRIOR TO ORDERING. CONTRACTOR IS RESPONSIBLE FOR ITEMS NOT INCLUDED IN CONTRACTOR COUNTS.

NO	DATE	ISSUE
0	2024-09-04	APPROVAL DRAWINGS



Job Name:
HDSB - Glenview Public School Gym
Addition
Engineer: DEI & Associates (Waterloo)

Catalog Number:
R1 DRAWING PACKAGE

Notes:

Type:
LTG. CTRL. R1

ML&C24-119319



MECHANICAL ELECTRICAL PLUMBING

This review by DEI Consulting Engineers Inc. is for the sole purpose of ascertaining conformance with the general design concept. This review shall not mean that DEI Consulting Engineers Inc. approves the detail design inherent in the shop drawings, responsibility for which shall remain with the contractor submitting same, and such review shall not relieve the contractor of his responsibility for errors or omissions in the shop drawings or his responsibility for meeting all requirements of the construction and contract documents.

Reviewed
 Not Reviewed
 Revised As Noted
 Revise and Resubmit

Project number: ML&C24-119481	Revision number: 0
LC2	

Project name: GLENVIEW PUBLIC SCHOOL GYMNASIUM ADDITION 143 TOWNSEND AVENUE, BURLINGTON, ONTARIO DEI CONSULTING ENGINEERS	Drawing title: PROJECT SPECIFIC LIGHTING CONTROL RISER DIAGRAMS
---	---

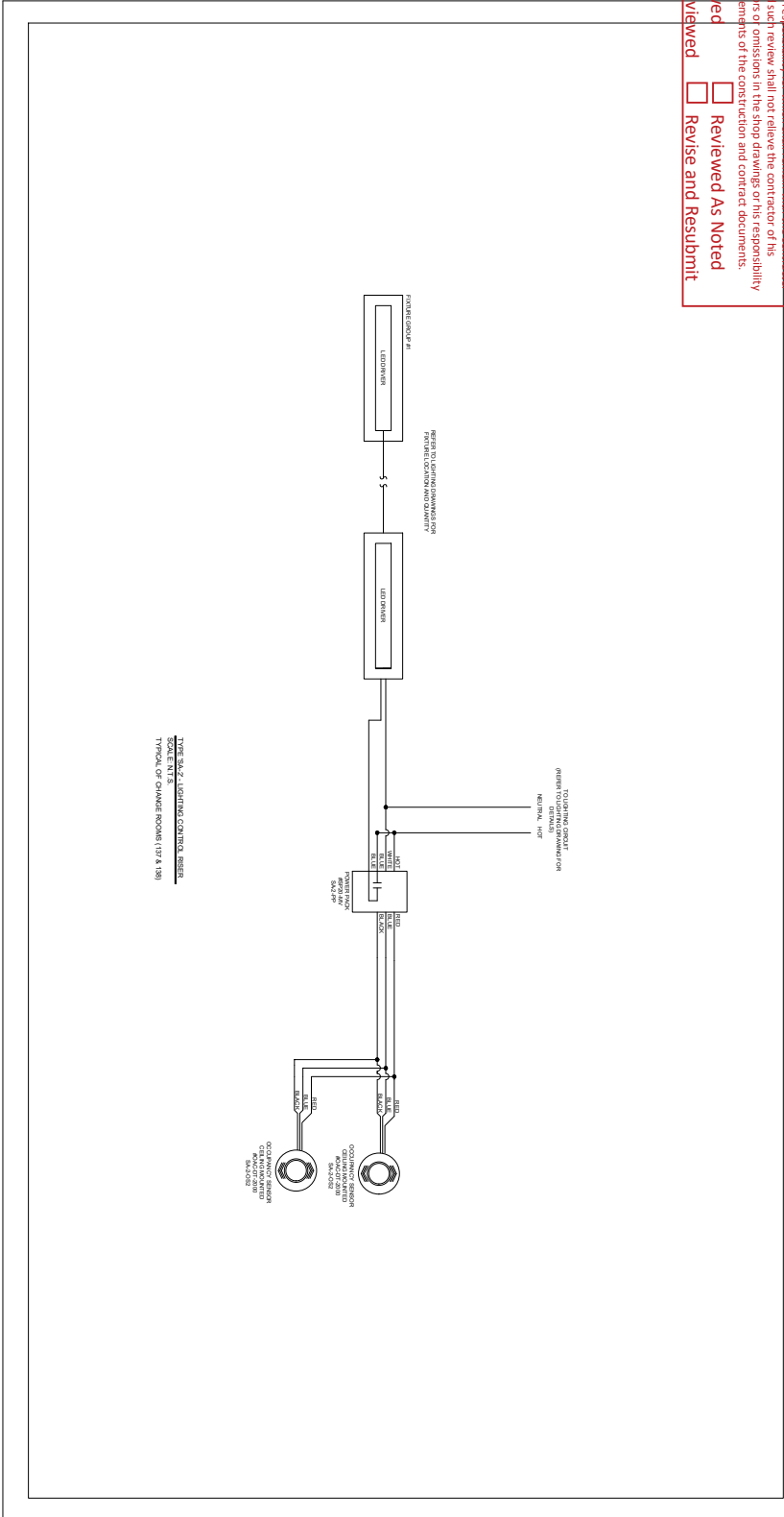
Drawn by: AS	Checked by: AS
Scale: N.T.S.	Date: SEPTEMBER 2024

THESE DOCUMENTS ARE NOT TO BE SCALED.

CONTRACTOR IS RESPONSIBLE TO VERIFY ALL QUANTITIES SHOWN ON DRAWING PRIOR TO ORDERING. CONTRACTOR IS RESPONSIBLE FOR ITEMS NOT INCLUDED IN CONTRACTOR COUNTS.

MEGAR LIGHTING & CONTROLS INC.

NO.	DATE	ISSUE
0	2024-09-04	APPROVAL DRAWINGS





Job Name:
HDSB - Glenview Public School Gym
Addition
Engineer: DEI & Associates (Waterloo)

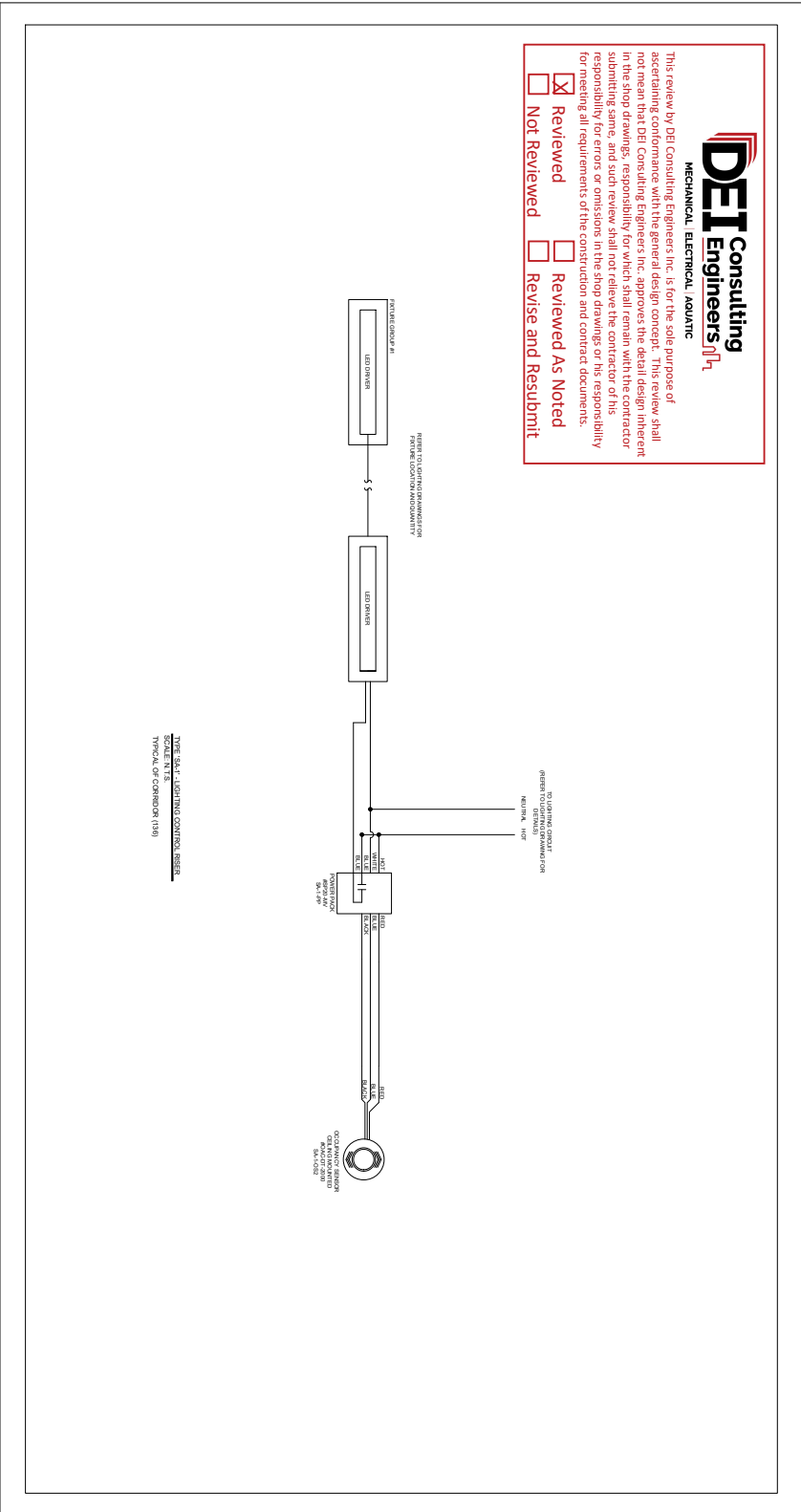
Notes:

ML&C24-119319

DEI Consulting
MECHANICAL, ELECTRICAL, PLUMBING

This review by DEI Consulting Engineers Inc. is for the sole purpose of ascertaining conformance with the general design concept. This review shall not mean that DEI Consulting Engineers Inc. approves the detail design inherent in the shop drawings, responsibility for which shall remain with the contractor submitting same, and such review shall not relieve the contractor of his responsibility for errors or omissions in the shop drawings or his responsibility for meeting all requirements of the construction and contract documents.

Reviewed
 Not Reviewed
 Reviewed As Noted
 Revise and Resubmit



Project number: ML&C24-119481	Revision number: 0
LCS	

Project name: GLENVIEW PUBLIC SCHOOL GYMNASIUM ADDITION 143 TOWNSEND AVENUE, BURLINGTON, ONTARIO DEI CONSULTING ENGINEERS	Drawing title: PROJECT SPECIFIC LIGHTING CONTROL RISER DIAGRAMS
---	---

Drawn by: AS	Checked by: AS	Scale: N.T.S.	Date: SEPTEMBER 2024
-----------------	-------------------	------------------	-------------------------

THESE DOCUMENTS ARE NOT TO BE SCALED.
CONTRACTOR IS RESPONSIBLE TO VERIFY ALL QUANTITIES SHOWN ON DRAWING PRIOR TO ORDERING. CONTRACTOR IS RESPONSIBLE FOR ITEMS NOT INCLUDED IN CONTRACTOR COUNTS.

NO.	DATE	ISSUE
0	2024-09-04	APPROVAL DRAWINGS



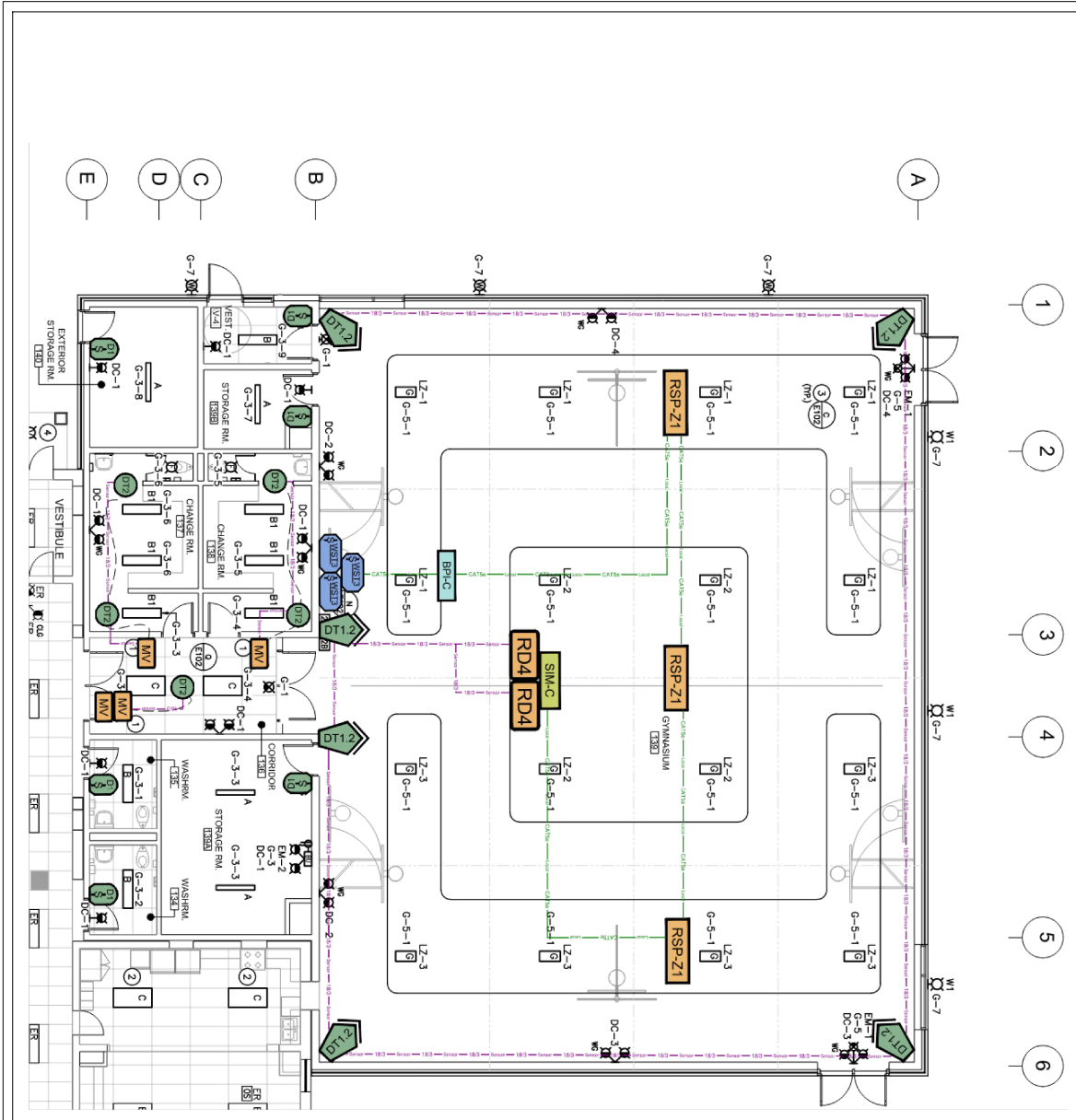
Job Name:
HDSB - Glenview Public School Gym
Addition
Engineer: DEI & Associates (Waterloo)

Catalog Number:
R1 DRAWING PACKAGE

Notes:

Type:
LTG. CTRL. R1

ML&C24-119319



**REFER TO
DRAWING FOR
"LIGHTING
CONTROL
SEQUENCE OF
OPERATIONS"**

LIGHTING CONTROL LEGEND

	= OAWC-DT-120W		= RSP-C-010-Z1
	= OAWC-DT-2000		= SP20-RD4
	= SP20-MV		= BPI-C-L
	= ONW-D-1001-MV-W		= WST-C-3-ENGHV

MLC24-119481 0
LC4

GLENVIEW PUBLIC SCHOOL
GYMNASIUM ADDITION
143 TOWNSEND AVENUE, BURLINGTON, ONTARIO
DEI CONSULTING ENGINEERS
**LIGHTING CONTROL DEVICE
FLOOR LAYOUT**



No.	Date	Issue
1	2024-04-14	INITIAL SUBMISSION

THESE DOCUMENTS ARE NOT TO BE SCALED.
CONTRACTOR IS RESPONSIBLE TO VERIFY ALL QUANTITIES SHOWN ON
DRAWINGS PRIOR TO ORDERING. APPROVALS AND COMMENTS WILL NOT
BE RESPONSIBLE FOR THESE NOT INCLUDED IN CONTRACT FOR WORK.